



# PARTS CATALOGUE

## XT660Z (11D1) EUROPE

---



2008-12-12

1G11D-300E1

( )

NEWS NO.	DATE	COMMENT
PE3-MC-080001	July,08,2008	FIG.26 / 27/ 41 LIST CORRECTION

XT660Z  
PARTS CATALOGUE  
©2008 by Yamaha Motor Italia S.p.a.  
1st edition, December 2008  
All rights reserved.  
Any reprinting or unauthorized use  
without the written permission of  
Yamaha Motor Italia S.p.a.  
is expressly prohibited.  
Printed in Italy.

# FOREWORD

This Parts Catalogue is related to the parts for the model(s) on the cover page. When you are ordering replacement parts, please refer to this Parts Catalogue and quote both part numbers and part names correctly.

1. Modifications or additions which have been made after the issue of the Parts Catalogue will be announced in the Parts News.

It is advisable that you make the necessary corrections to the Parts Catalogue according to the Parts News.

2. Abbreviations

The following abbreviations are used in this Parts Catalogue.

“UR” Use specified parts number.

“UN” Use as many as needed.

“AP” Alternate Parts

“LM” Locally Made (Parts need to be ordered locally)

“F#” Frame No. (Applicable machine No.)

“O/S” Over Size

3. The number of components for assembly

- Parts, which are to be supplied in an assembly, are listed with a dot (.) in front of the part name as shown below.
- The numeral appearing to the right of each component part indicates the quantity of parts for each assembly unit.

PART NO.	DESCRIPTION	Q'TY	REMARKS
2F5-83310-60	FRONT FLASHER LIGHT ASSY	2	
115-83311-60	.BULB (6V-18W)	1	

4. Applicable colours of graphics are represented in the “REMARKS” as shown below.

PART NO.	DESCRIPTION	Q'TY	REMARKS
2N4-24110-00-X5	FUEL TANK COMP.	2	MXR
3J1-24240-10	.GRAPHIC, FUEL TANK	1	FOR MXR

5. Note that the illustrations for reference in finding parts numbers are not to be used for assembling. When assembling, please use the applicable service manual.

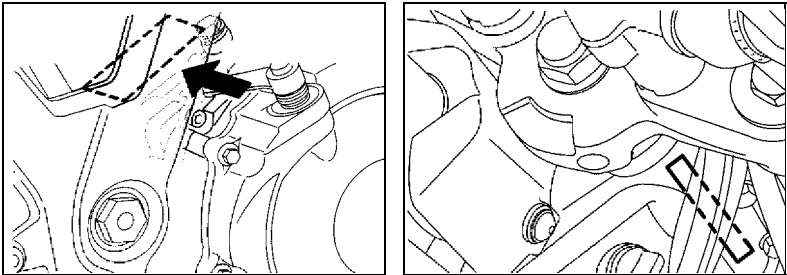
6. The asterisk (\*) before a reference number indicates modified items after the first edition.

# FOREWORD

7. Applicable Serial No.

Engine Serial No.

Frame Serial No.



8. Applicable Colour Code (The (\*) mark shows Model colour.)

Abbreviation	Colour Name	Colour Code
BWC1(*)	BLUISH WHITE COCKTAIL 1	0390
LGB	LOW GLOSS BLACK	0098
SL	SILVER	0035
SMX(*)	BLACK METALLIC X	0903
YNS5(*)	YELLOWISH GRAY SOLID 5	1101

9. Quantity Column Information

Column No.	Name Of Q'ty Column	Destination
1	010	EUROPE
2	020	BELGIUM - NETHERLANDS
3	030	PORTUGAL



# CONTENTS

## ENGINE

CYLINDER HEAD .....	1
CYLINDER .....	2
CRANKSHAFT & PISTON .....	3
VALVE .....	4
CAMSHAFT & CHAIN .....	5
WATER PUMP .....	6
RADIATOR & HOSE .....	7
OIL PUMP .....	9
INTAKE .....	11
INTAKE 2 .....	13
AIR INDUCTION SYSTEM .....	14
EXHAUST .....	15
CRANKCASE .....	17
CRANKCASE COVER 1 .....	18
STARTER .....	20
CLUTCH .....	21
TRANSMISSION .....	23
SHIFT CAM & FORK .....	25
SHIFT SHAFT .....	26

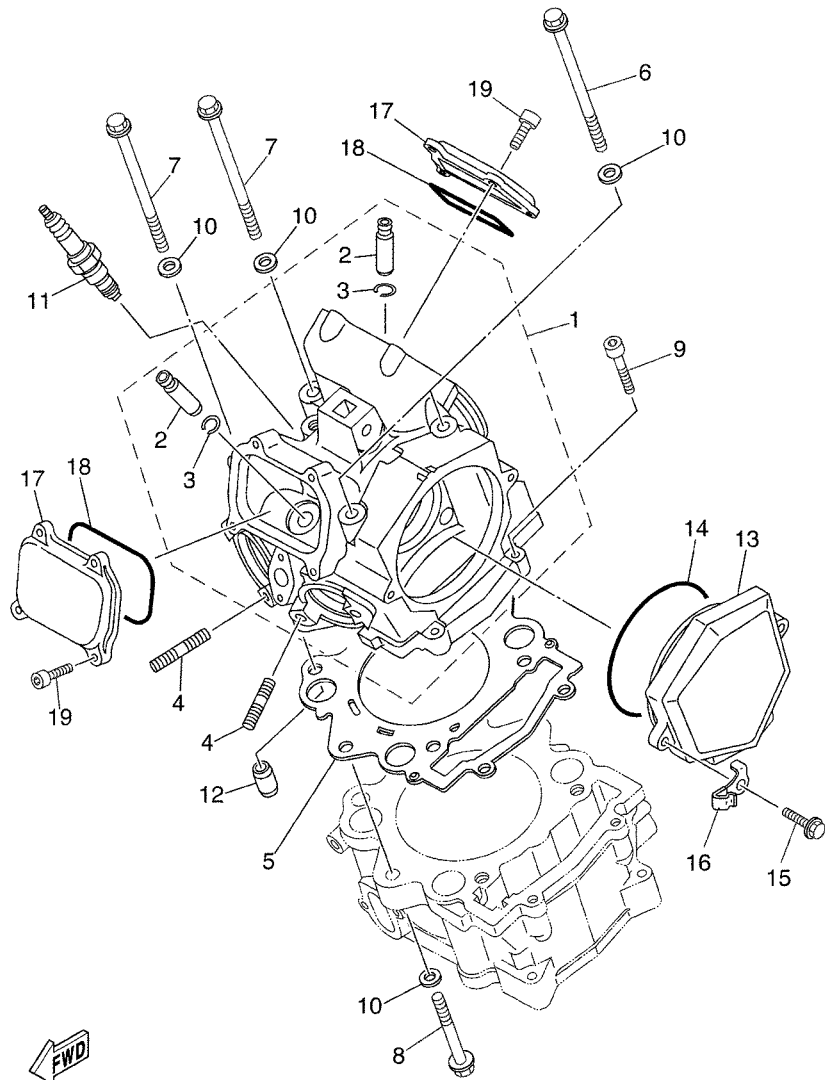
## CHASSIS

FRAME .....	27
FENDER .....	29
REAR ARM .....	30
REAR SUSPENSION .....	32
STEERING .....	33
FRONT FORK .....	34
FUEL TANK .....	36
SEAT .....	38
FRONT WHEEL .....	40
FRONT BRAKE .....	41
REAR WHEEL .....	42
REAR BRAKE .....	44
STEERING HANDLE & CABLE .....	45
FRONT MASTER CYLINDER .....	46
STAND & FOOTREST .....	47
REAR MASTER CYLINDER .....	49
COWLING .....	51
GENERATOR .....	52
FLASHER LIGHT .....	53
METER .....	54

HEADLIGHT .....	55
TAILLIGHT .....	56
HANDLE SWITCH & LEVER .....	58
ELECTRICAL 1 .....	59
ELECTRICAL 2 .....	61

## INDEX

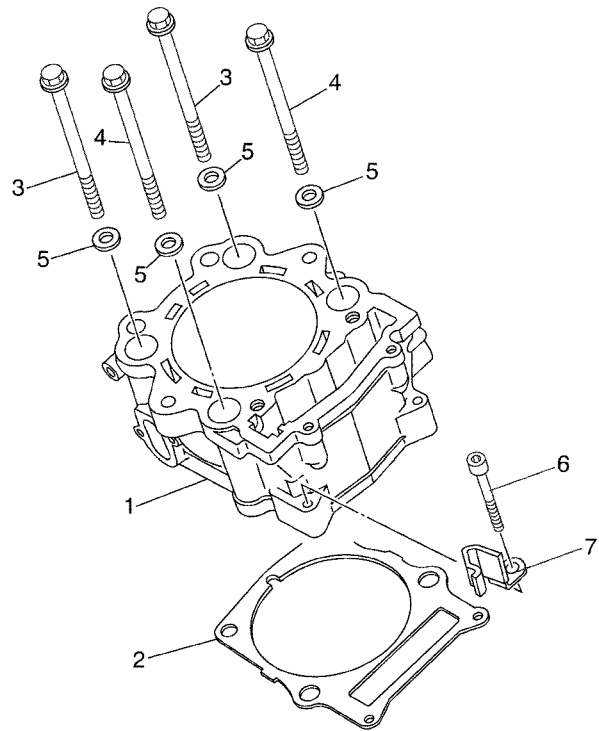
NUMERICAL INDEX .....	63
-----------------------	----



**FWD**  
5VK8300-F010

**FIG. 1 CYLINDER HEAD**

REF. NO.	PART NO.	DESCRIPTION	010	020	030	REMARKS
1	5VK-E1101-00	CYLINDER HEAD ASSY	1	1	1	
2	4G0-11133-11	.GUIDE, VALVE 1	4	4	4	
3	93440-10X00	.CIRCLIP	4	4	4	
4	95617-08618	BOLT, STUD	4	4	4	
5	5VK-11181-00	GASKET, CYLINDER HEAD 1	1	1	1	
6	90105-09002	BOLT, FLANGE	2	2	2	
7	90105-09004	BOLT, FLANGE	2	2	2	
8	90105-09003	BOLT, FLANGE	2	2	2	
9	91317-06030	BOLT	2	2	2	
10	90201-096J9	WASHER, PLATE	6	6	6	
11	94701-00X09	PLUG, SPARK (NGK CR7E)	1	1	1	
12	93612-16X00	PIN, DOWEL	2	2	2	
13	5VK-E1185-00	COVER, CYLINDER HEAD SIDE 1	1	1	1	
14	93210-96X00	O-RING	1	1	1	
15	90105-06X06	BOLT, FLANGE	2	2	2	
16	90465-10044	CLAMP	1	1	1	
17	5VK-E1186-00	COVER, CYLINDER HEAD SIDE 2	2	2	2	
18	93210-78X00	O-RING	2	2	2	
19	91317-06018	BOLT	8	8	8	

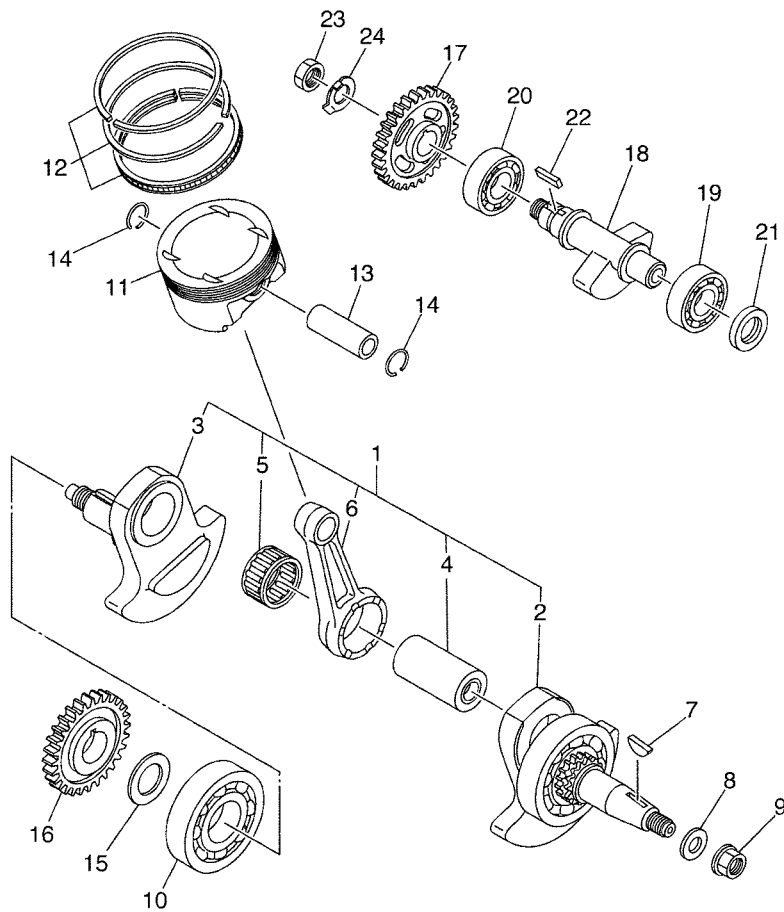


5VK8300-F020

FIG. 2 CYLINDER

REF. NO.	PART NO.	DESCRIPTION	010	020	030	REMARKS
1	5VK-11311-00	CYLINDER 1	1	1	1	
2	5VK-11351-00	GASKET, CYLINDER	1	1	1	
3	90105-10078	BOLT, FLANGE	2	2	2	
4	90105-10077	BOLT, FLANGE	2	2	2	
5	90201-101A4	WASHER, PLATE	4	4	4	
6	91317-06040	BOLT	2	2	2	
7	90465-10045	CLAMP	1	1	1	

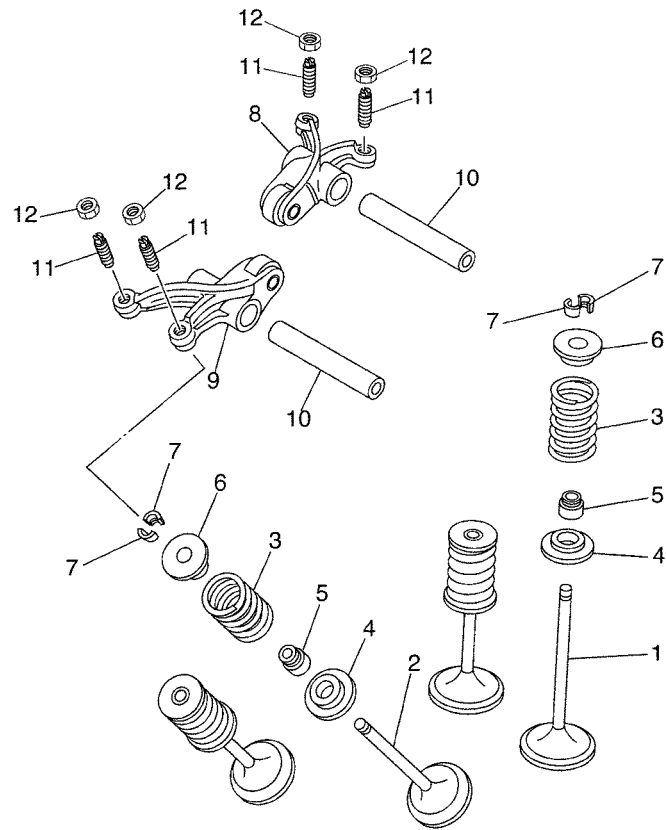




  
 5VK1300-C030

**FIG. 3 CRANKSHAFT & PISTON**

REF. NO.	PART NO.	DESCRIPTION	010	020	030	REMARKS
1	5VK-11400-00	CRANKSHAFT ASSY	1	1	1	
2	5VK-11401-09	.CRANK SUB ASSY 1	1	1	1	
3	5VK-11422-00	.CRANK 2	1	1	1	
4	5VK-11681-00	.PIN, CRANK 1	1	1	1	
5	93310-84010	.BEARING	1	1	1	
6	5VK-11651-00	.ROD, CONNECTING	1	1	1	
7	90280-05001	KEY, WOODRUFF	1	1	1	
8	90201-16013	WASHER, PLATE	1	1	1	
9	90179-16448	NUT	1	1	1	
10	93306-308Y0	BEARING	1	1	1	
11	5VK-11631-00	PISTON (STD)	1	1	1	
12	5VK-11603-00	PISTON RING SET (STD)	1	1	1	
13	5VK-11633-00	PIN, PISTON	1	1	1	
14	93450-24824	CIRCLIP	2	2	2	
15	90201-30X00	WASHER, PLATE	1	1	1	
16	5VK-E1536-00	GEAR, DRIVE	1	1	1	
17	5VK-E1531-00	GEAR, BALANCE WEIGHT	1	1	1	
18	5VK-E1454-00	WEIGHT 1	1	1	1	
19	93306-305YJ	BEARING	1	1	1	
20	93306-305YH	BEARING	1	1	1	
21	93101-25106	OIL SEAL	1	1	1	
22	90282-05058	KEY, STRAIGHT	1	1	1	
23	90170-18003	NUT	1	1	1	
24	90215-18X00	WASHER, LOCK	1	1	1	



  
5VK1300-C040

**FIG. 4 VALVE**

REF. NO.	PART NO.	DESCRIPTION	010	020	030	REMARKS
1	5VK-12111-00	VALVE, INTAKE	2	2	2	
2	5VK-12121-00	VALVE, EXHAUST	2	2	2	
3	5VK-12113-00	SPRING, VALVE INNER	4	4	4	
4	3YF-12116-00	SEAT, VALVE SPRING	4	4	4	
5	5H0-12119-00	SEAL, VALVE STEM	4	4	4	
6	3YF-12117-01	RETAINER, VALVE SPRING	4	4	4	
7	4G0-12118-00	COTTER, VALVE	8	8	8	
8	5VK-E2151-00	ARM, VALVE ROCKER	1	1	1	
9	5VK-E2161-00	ARM, VALVE ROCKER 2	1	1	1	
10	5VK-12146-00	SHAFT, ROCKER	2	2	2	
11	5BP-12159-01	SCREW, VALVE ADJUSTING	4	4	4	
12	90170-06128	NUT	4	4	4	

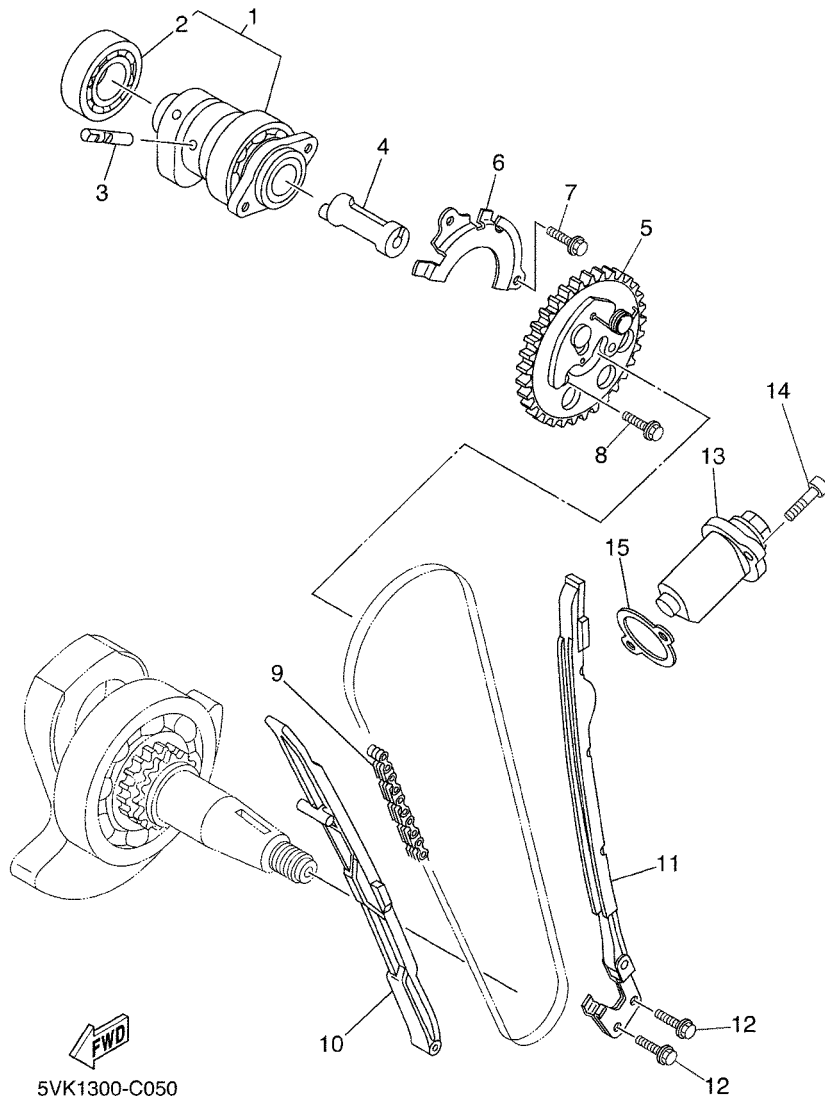
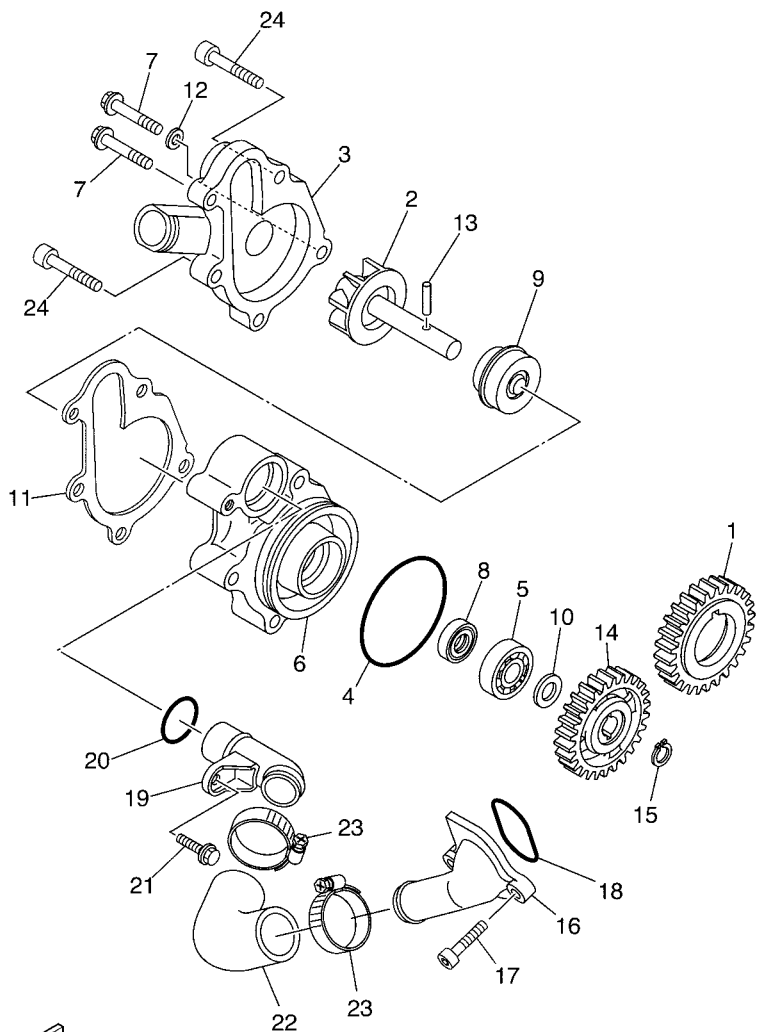


FIG. 5 CAMSHAFT & CHAIN

REF. NO.	PART NO.	DESCRIPTION	010	020	030	REMARKS
1	5VK-E2170-10	CAMSHAFT ASSY 1	1	1	1	
2	93306-07209	.BEARING	1	1	1	
3	5VK-12284-00	PIN, DECOMPRESSION LEVER	1	1	1	
4	5VK-12290-00	LEVER, DECOMPRESSION SPRING	1	1	1	
5	5VK-12280-01	DECOMPRESSION ASSY	1	1	1	
6	5VK-E111F-00	PLATE	1	1	1	
7	95027-06012	BOLT, FLANGE	2	2	2	
8	90105-07004	BOLT, FLANGE	2	2	2	
9	94591-57126	CHAIN (98XRH2010-126M)	1	1	1	
10	5VK-E2231-00	GUIDE, STOPPER 1	1	1	1	
11	5VK-E2241-00	GUIDE, STOPPER 2	1	1	1	
12	90119-06X05	BOLT, WITH WASHER	2	2	2	
13	5VK-E2210-00	TENSIONER ASSY, CAM CHAIN	1	1	1	
14	91317-06025	BOLT	2	2	2	
15	4DW-12213-00	GASKET, TENSIONER CASE	1	1	1	

**FIG. 6 WATER PUMP**

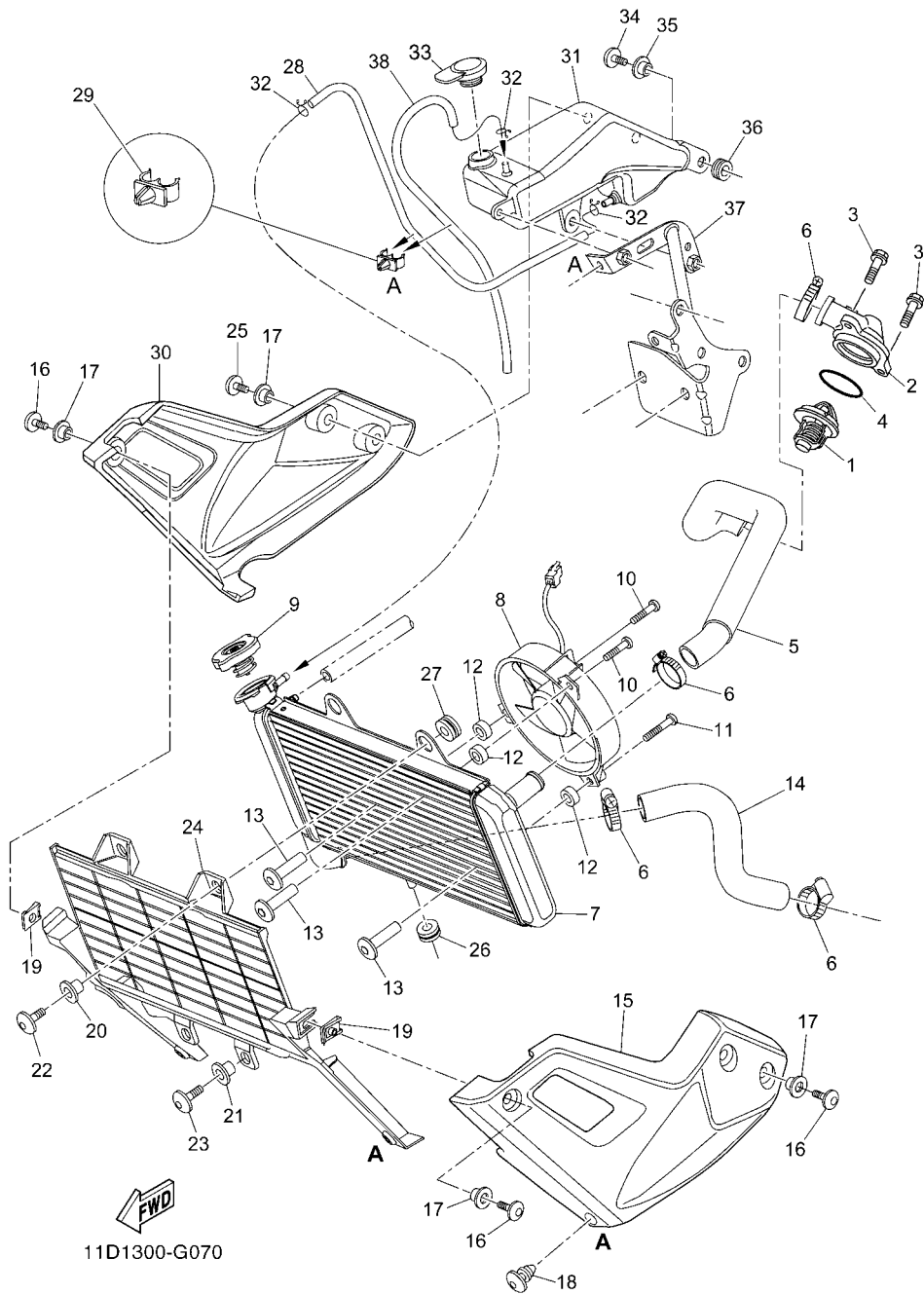


  
5YK1300-E060

REF. NO.	PART NO.	DESCRIPTION	010	020	030	REMARKS
1	5VK-E2436-00	GEAR, DRIVE	1	1	1	
2	5VK-12450-00	IMPELLER SHAFT ASSY	1	1	1	
3	5VK-12422-00	COVER, HOUSING	1	1	1	
4	93210-61750	O-RING	1	1	1	
5	93306-00106	BEARING	1	1	1	
6	5VK-12421-00	HOUSING, WATER PUMP	1	1	1	
7	95027-06025	BOLT, FLANGE	2	2	2	
8	93101-12173	OIL SEAL	1	1	1	
9	11H-12438-10	SEAL, MECHANICAL	1	1	1	
10	90201-12541	WASHER, PLATE	1	1	1	
11	5VK-12428-00	GASKET, HOUSING COVER 2	1	1	1	
12	90430-06014	GASKET	1	1	1	
13	93603-16219	PIN, DOWEL	1	1	1	
14	5VK-12459-00	GEAR, IMPELLER SHAFT	1	1	1	
15	99009-12400	CIRCLIP	1	1	1	
16	5VK-E2469-00	JOINT 1	1	1	1	
17	91317-06020	BOLT	2	2	2	
18	93210-33X00	O-RING	1	1	1	
19	5VK-12481-00	PIPE 1	1	1	1	
20	93210-21X00	O-RING	1	1	1	
21	91317-06012	BOLT	1	1	1	
22	5VK-E2577-00	HOSE 2	1	1	1	
23	90450-32X03	HOSE CLAMP ASSY	2	2	2	
24	91317-06050	BOLT	3	3	3	

**FIG. 7 RADIATOR & HOSE**

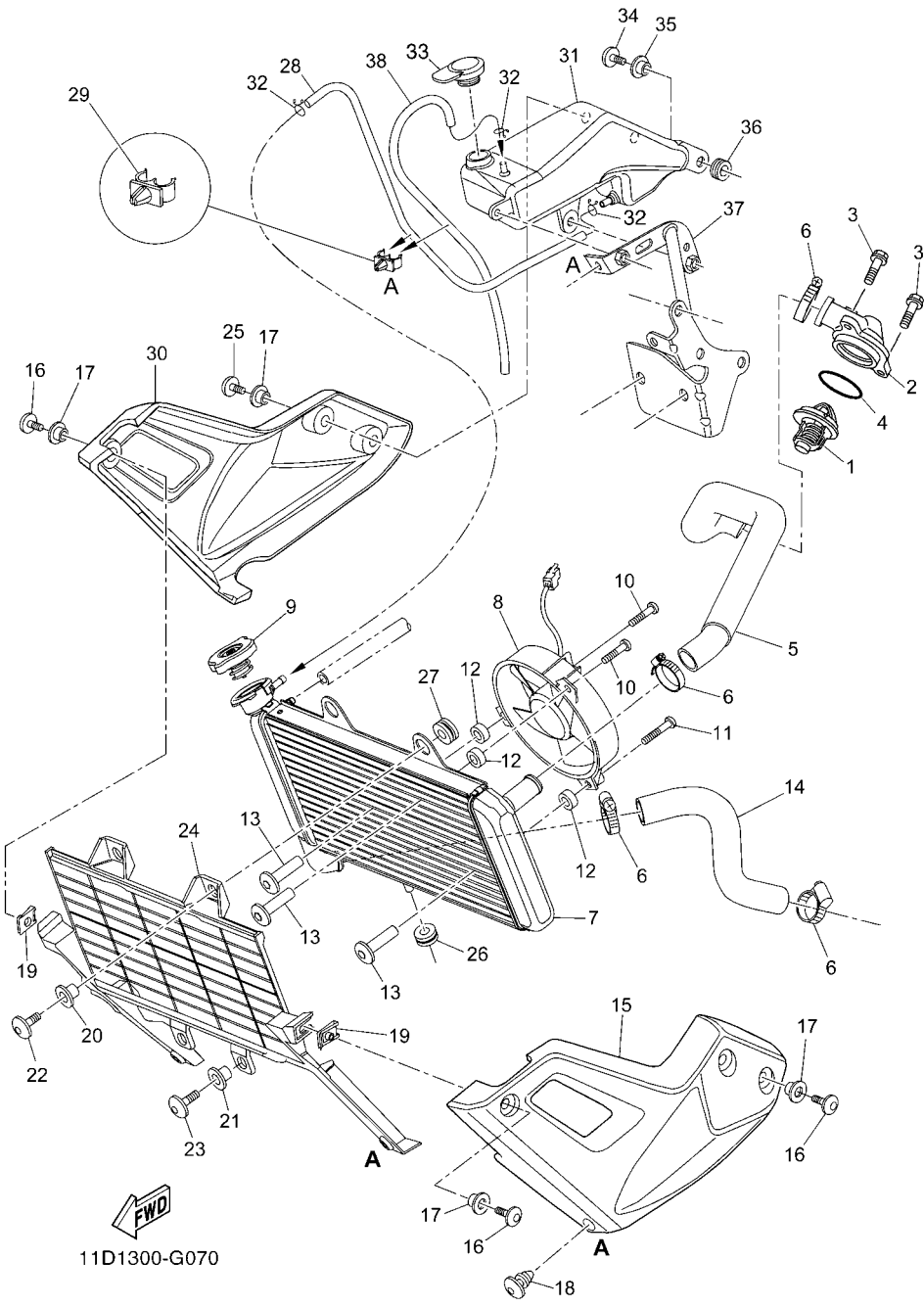
REF. NO.	PART NO.	DESCRIPTION	010	020	030	REMARKS
1	5VK-12410-00	THERMOSTAT ASSY	1	1	1	
2	5VK-E2413-00	COVER, THERMOSTAT	1	1	1	
3	90105-06X06	BOLT, FLANGE	2	2	2	
4	93210-41X00	O-RING	1	1	1	
5	11D-E2578-00	HOSE 3	1	1	1	
6	90450-32X03	HOSE CLAMP ASSY	4	4	4	
7	11D-E2461-00	RADIATOR ASSY	1	1	1	
8	11D-E2405-00	BLOWER ASSY	1	1	1	
9	5VK-E2462-00	CAP, RADIATOR	1	1	1	
10	5B2-E2675-00	BOLT, BLOWER HOLDING	2	2	2	
11	5B2-E2623-00	BOLT	1	1	1	
12	5B2-E2671-00	NUT 1	3	3	3	
13	11D-E2662-00	COLLAR 1	3	3	3	
14	11D-E2579-00	HOSE 4	1	1	1	
15	11D-E240J-00	RADIATOR COVER ASSY1	1	1	1	
16	90111-06X19	BOLT, HEX. SOCKET BUTTON	4	4	4	
17	90387-06X02	COLLAR	6	6	6	
18	90269-07007	RIVET	2	2	2	
19	2VW-F1736-00	NUT, PLATE	2	2	2	
20	90387-06042	COLLAR	2	2	2	
21	90387-06648	COLLAR	2	2	2	
22	90111-06X20	BOLT, HEX. SOCKET BUTTON	2	2	2	
23	90111-06X19	BOLT, HEX. SOCKET BUTTON	2	2	2	
24	11D-E2498-00	PROTECTOR	1	1	1	
25	90111-06X17	BOLT, HEX. SOCKET BUTTON	2	2	2	
26	90480-15363	GROMMET	1	1	1	
27	90480-18276	GROMMET	2	2	2	

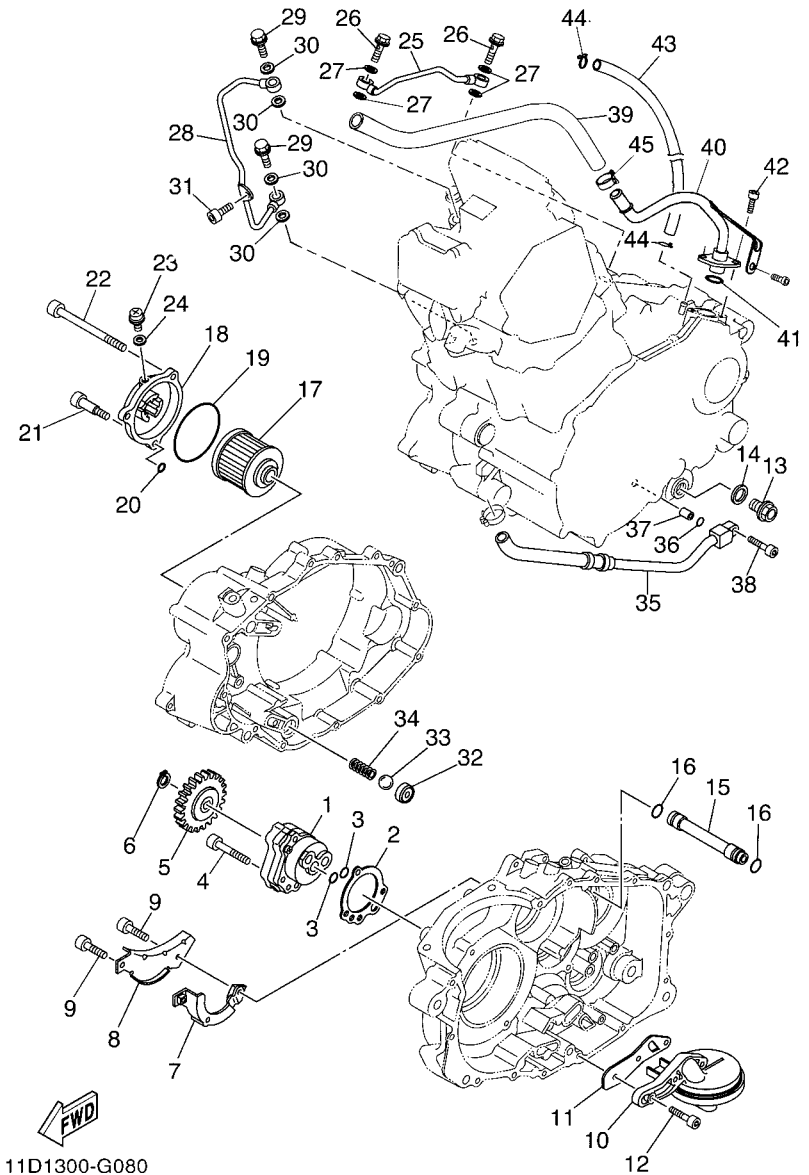


11D1300-G070

**FIG. 7 RADIATOR & HOSE**

REF. NO.	PART NO.	DESCRIPTION				REMARKS
			010	020	030	
28	90445-08X06	HOSE	1	1	1	
29	90464-08126	CLAMP	1	1	1	
30	11D-E240K-00	RADIATOR COVER ASSY 2	1	1	1	
31	11D-F1871-00	TANK, RECOVERY	1	1	1	
32	90467-08003	CLIP	3	3	3	
33	5DS-F1771-00	BODY, CAP	1	1	1	
34	90110-06202	BOLT, HEXAGON SOCKET HEAD	3	3	3	
35	90387-06161	COLLAR	3	3	3	
36	90480-14014	GROMMET	3	3	3	
37	11D-F1873-00	BRACKET, RECOVERY TANK	1	1	1	
38	90445-08X05	HOSE	1	1	1	
-----						
-----						
-----						
-----						
-----						
-----						
-----						
-----						
-----						
-----						

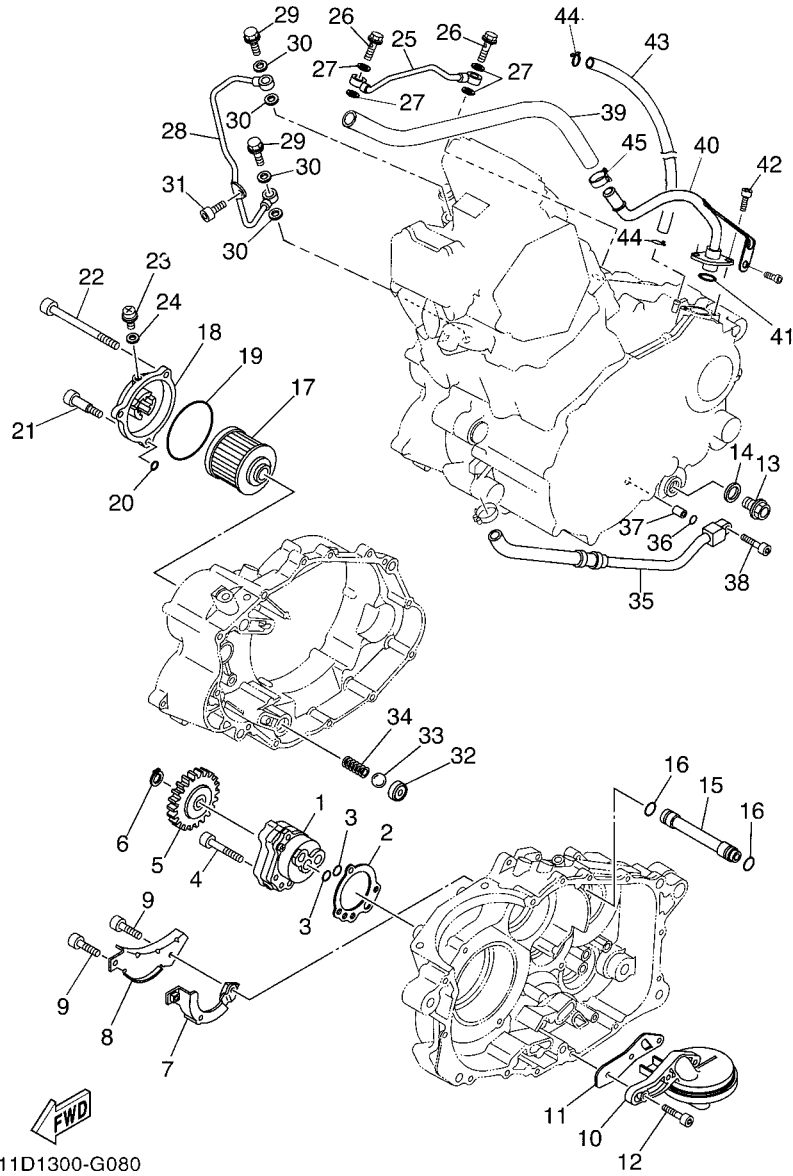




11D1300-G080

FIG. 8 OIL PUMP

REF. NO.	PART NO.	DESCRIPTION	010	020	030	REMARKS
1	5LP-13300-00	OIL PUMP ASSY	1	1	1	
2	5LP-13329-00	GASKET, PUMP COVER	1	1	1	
3	93210-13X00	O-RING	2	2	2	
4	92017-06035	BOLT, BUTTON HEAD	3	3	3	
5	3AJ-13325-00	GEAR, PUMP DRIVEN	1	1	1	
6	93410-11X00	CIRCLIP	1	1	1	
7	5VK-E3356-00	COVER, PUMP 2	1	1	1	
8	5VK-E3327-00	COVER, PUMP GEAR	1	1	1	
9	91317-05008	BOLT	2	2	2	
10	5VK-WE343-00	STRAINER COMP.	1	1	1	
11	5VK-E3415-10	SEAL, OIL STRAINER	1	1	1	
12	91317-06020	BOLT	3	3	3	
13	90340-14132	PLUG, STRAIGHT SCREW	1	1	1	
14	214-11198-01	GASKET	1	1	1	
15	5VK-E3181-00	PIPE, DELIVERY 3	1	1	1	
16	93210-11X00	O-RING	2	2	2	
17	4X7-13440-01	ELEMENT ASSY, OIL CLEANER	1	1	1	
18	2WK-13447-00	COVER, OIL ELEMENT	1	1	1	
19	93210-64X01	O-RING	1	1	1	
20	93210-07X01	O-RING	1	1	1	
21	90109-06419	BOLT	1	1	1	
22	91317-06095	BOLT	2	2	2	
23	90149-05110	SCREW	1	1	1	
24	90430-05X00	GASKET	1	1	1	
25	5VK-13161-00	PIPE, DELIVERY 1	1	1	1	
26	90401-08133	BOLT, UNION	2	2	2	
27	90430-08X01	GASKET	4	4	4	



11D1300-G080

FIG. 8 OIL PUMP

REF. NO.	PART NO.	DESCRIPTION	010	020	030	REMARKS
28	5VK-13171-00	PIPE, DELIVERY 2	1	1	1	
29	90401-10096	BOLT, UNION	2	2	2	
30	90430-10X00	GASKET	4	4	4	
31	91317-06012	BOLT	1	1	1	
32	583-13113-00	SEAT, CHECK BALL	1	1	1	
33	93503-08007	BALL	1	1	1	
34	90501-04X01	SPRING, COMPRESSION	1	1	1	
35	5VK-13464-00	HOSE, OIL 1	1	1	1	
36	93210-10X00	O-RING	1	1	1	
37	91810-14X00	PIN, DOWEL	1	1	1	
38	91317-06025	BOLT	1	1	1	
39	11D-13467-00	HOSE	1	1	1	
40	11D-13405-00	OIL PIPE COMP. 1	1	1	1	
41	93210-15X00	O-RING	1	1	1	
42	91317-06016	BOLT	2	2	2	
43	90445-11X01	HOSE	1	1	1	
44	90467-10008	CLIP	2	2	2	
45	90450-20X01	HOSE CLAMP ASSY	1	1	1	



**FIG. 9 INTAKE**

REF. NO.	PART NO.	DESCRIPTION	010	020	030	REMARKS
1	5VK-E3586-10	JOINT, CARBURETOR 1	1	1	1	
2	90450-72001	HOSE CLAMP ASSY	2	2	2	
3	11D-E4453-00	JOINT, AIR CLEANER 1	1	1	1	
4	90450-59001	HOSE CLAMP ASSY	1	1	1	
5	11D-E441A-00	COVER, CLEANER CASE 1	1	1	1	
6	9770M-50030	SCREW, TAPPING	13	13	13	
7	11D-E4452-00	SEAL	1	1	1	
8	11D-E4411-00	CASE, AIR CLEANER 1	1	1	1	
9	11D-E4451-00	ELEMENT, AIR CLEANER	1	1	1	
10	11D-E4430-00	DUCT ASSY	1	1	1	
11	92507-06012	SCREW, PAN HEAD	4	4	4	
12	92907-06600	WASHER, PLATE	4	4	4	
13	11D-E441E-00	COVER, CLEANER CASE 2	1	1	1	
14	11D-E4457-00	SEAL	1	1	1	
15	11D-E443E-00	PIPE, DRAIN	1	1	1	
16	90467-11090	CLIP	1	1	1	
17	90467-12085	CLIP	1	1	1	
18	90467-17801	CLIP	1	1	1	
19	11D-E1167-00	PIPE, BREATHER 2	1	1	1	
20	90467-14800	CLIP	1	1	1	
21	11D-E5371-10	BREATHER	1	1	1	
22	5YK-E244G-00	HOSE, 4	1	1	1	
23	90467-11108	CLIP	1	1	1	
24	90467-11090	CLIP	1	1	1	
25	90467-07138	CLIP	2	2	2	
26	11D-E3542-00	HOSE, VACUUM SENSING 1	1	1	1	
27	90467-17128	CLIP	1	1	1	

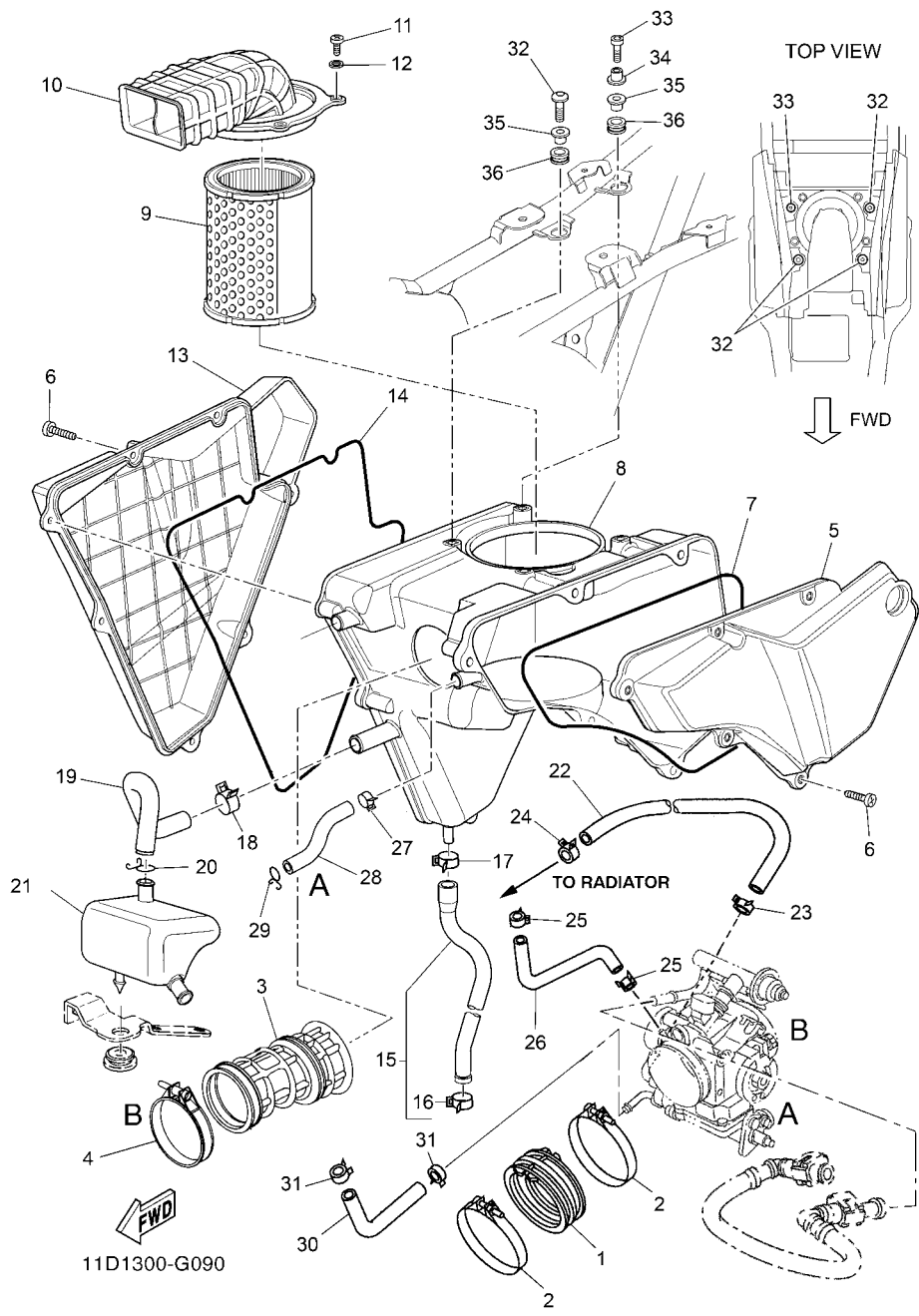
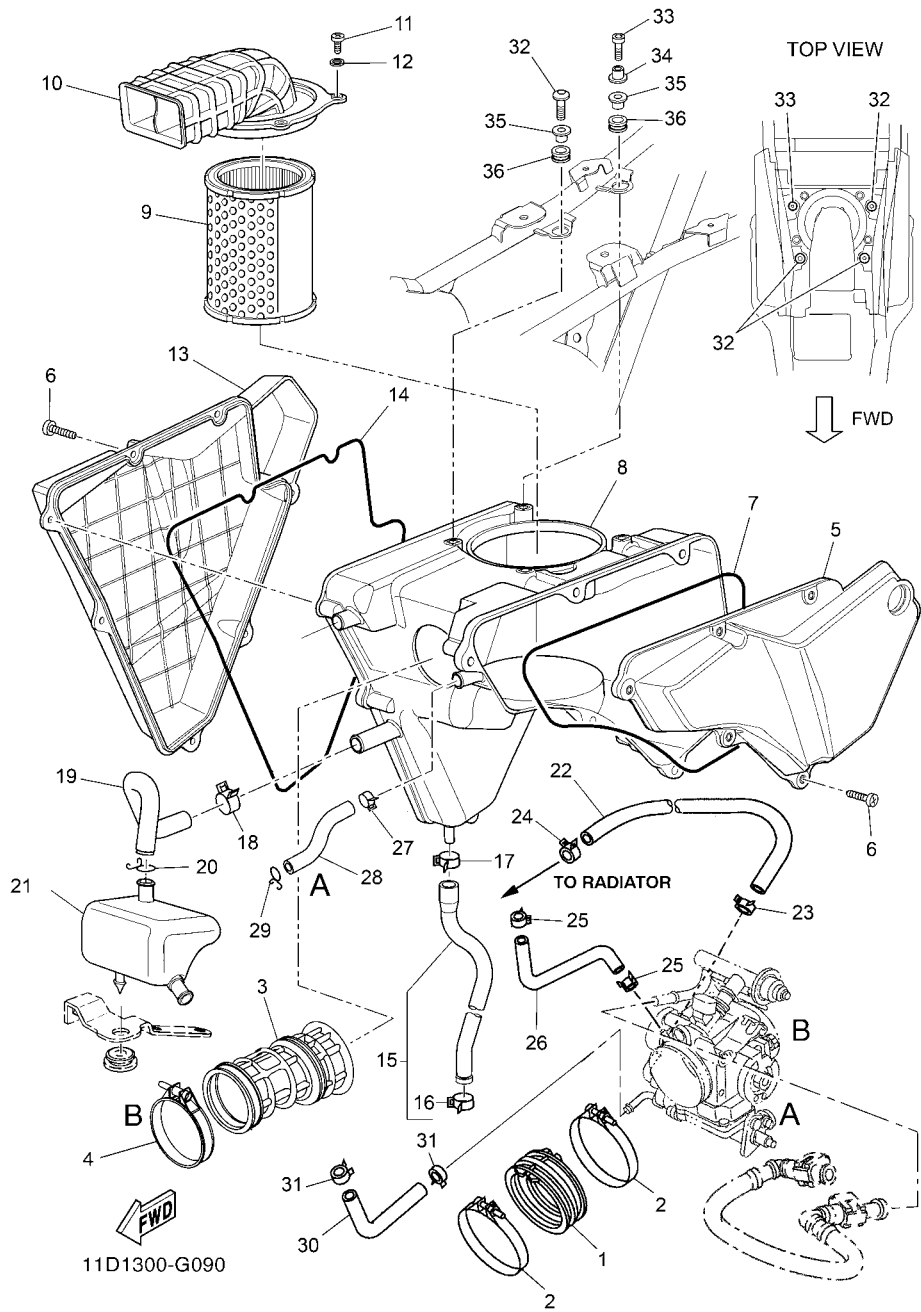
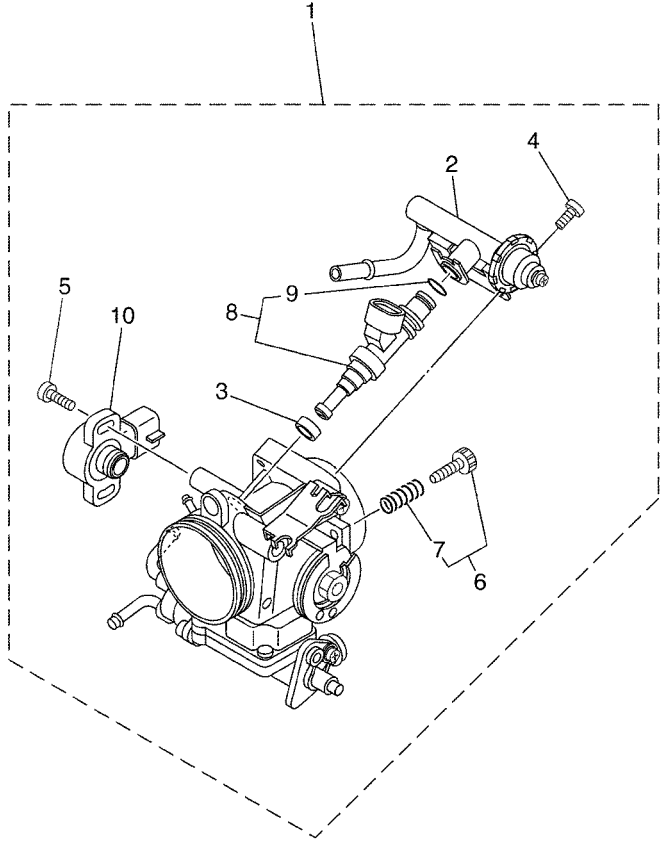


FIG. 9 INTAKE



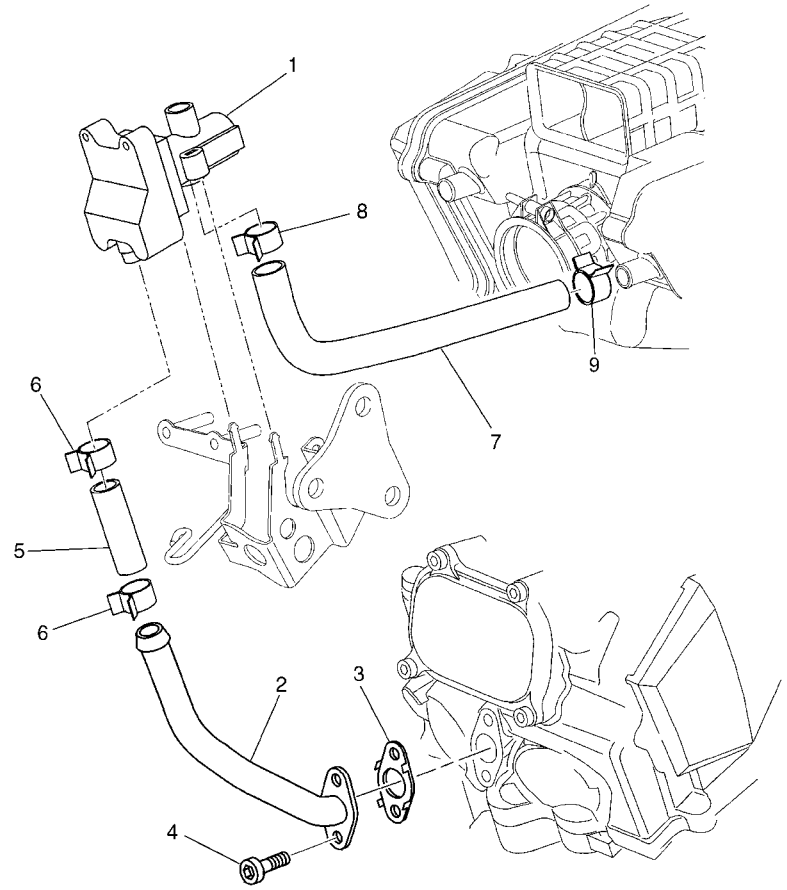
REF. NO.	PART NO.	DESCRIPTION				REMARKS
			010	020	030	
28	11D-E3545-00	HOSE 1	1	1	1	
29	90467-170A2	CLIP	1	1	1	
30	5YK-E243A-00	HOSE 1	1	1	1	
31	90467-11108	CLIP	2	2	2	
32	90111-06051	BOLT,HEX. SOCKET BUTTON	3	3	3	
33	9131L-06035	BOLT	1	1	1	
34	90387-068P7	COLLAR	1	1	1	
35	90387-07037	COLLAR	4	4	4	
36	90480-18276	GROMMET	4	4	4	
-----						
-----						
-----						
-----						
-----						
-----						
-----						
-----						
-----						
-----						
-----						

**FIG. 10 INTAKE 2**



REF. NO.	PART NO.	DESCRIPTION				REMARKS
			010	020	030	
1	5YK-13750-11	THROTTLE BODY ASSY	1	1	1	
2	5VK-13160-00	.DELIVERY PIPE ASSY 1	1	1	1	
3	90430-09002	.GASKET	1	1	1	
4	98507-06012	.SCREW, PAN HEAD	2	2	2	
5	8CC-14216-10	.SCREW	2	2	2	
6	5VK-14503-00	.ADJUST SCREW SET	1	1	1	
7	5VK-14531-00	..SPRING, ADJUST SCREW	1	1	1	
8	5VK-13761-00	.INJECTOR	1	1	1	
9	5PS-14147-00	..O-RING	1	1	1	
10	3P6-85885-00	.THROTTLE SENSOR ASSY	1	1	1	

  
5VK1300-C100

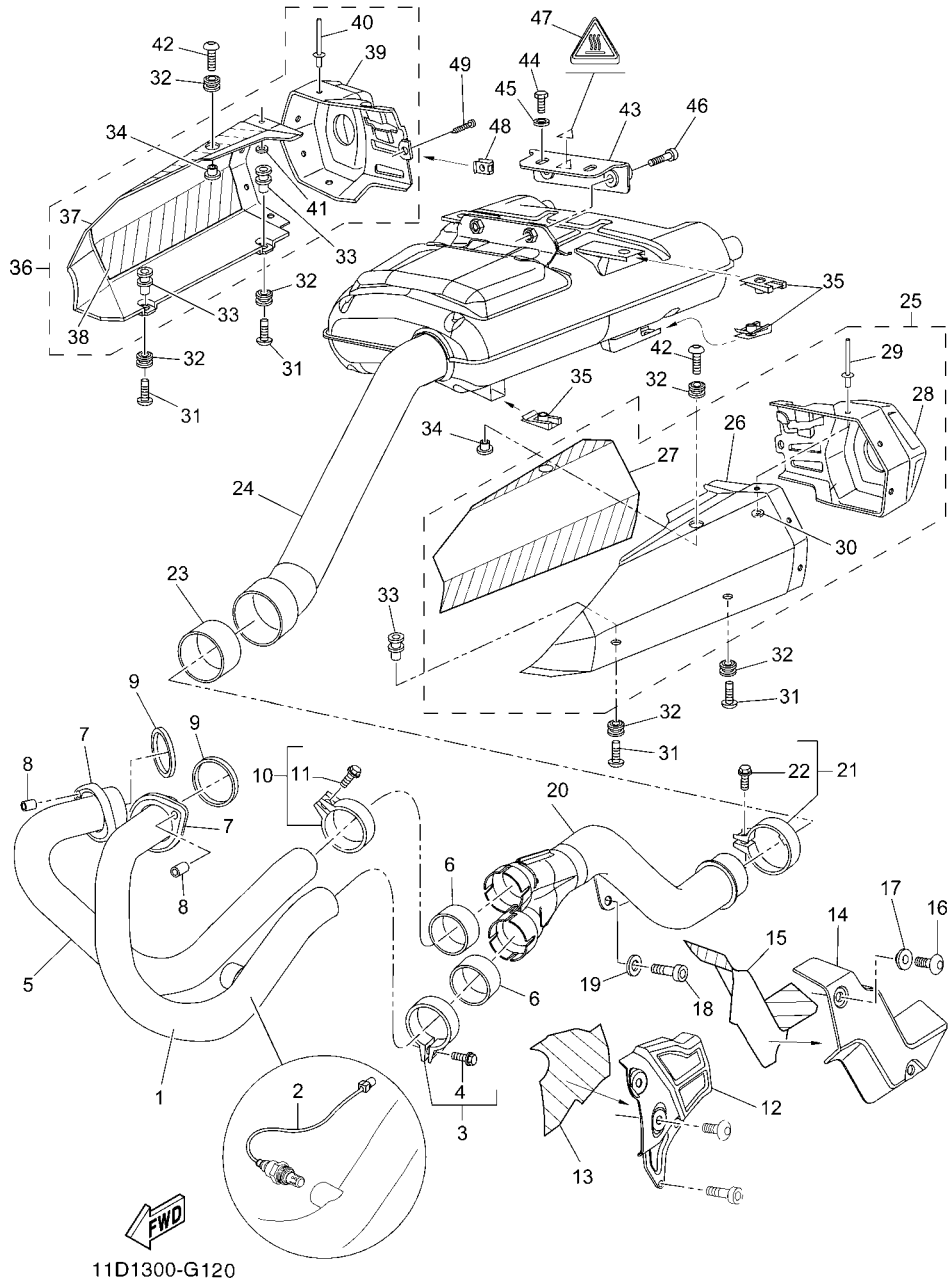


  
 11D1300-G110

**FIG. 11 AIR INDUCTION SYSTEM**

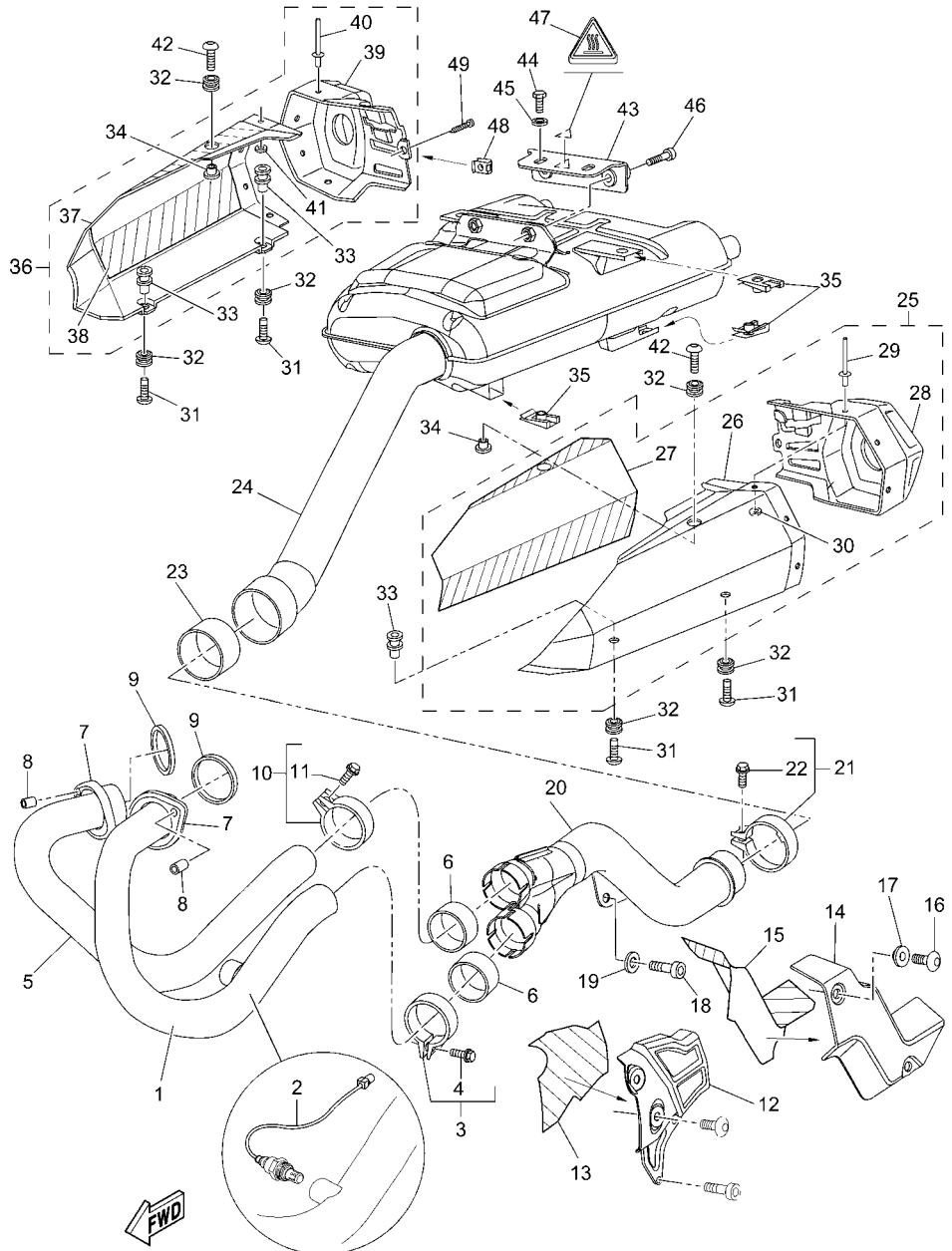
REF. NO.	PART NO.	DESCRIPTION	010	020	030	REMARKS
1	5VK-14803-00	AIR INDUCTION SYSTEM ASSY	1	1	1	
2	5VK-14871-02	PIPE 1	1	1	1	
3	5VK-14815-00	GASKET	1	1	1	
4	91380-06016	BOLT	2	2	2	
5	11D-E4881-00	HOSE, BEND 1	1	1	1	
6	90467-17089	CLIP	2	2	2	
7	11D-E4882-00	HOSE, BEND 2	1	1	1	
8	90467-17089	CLIP	1	1	1	
9	90467-170A0	CLIP	1	1	1	

FIG. 12 EXHAUST



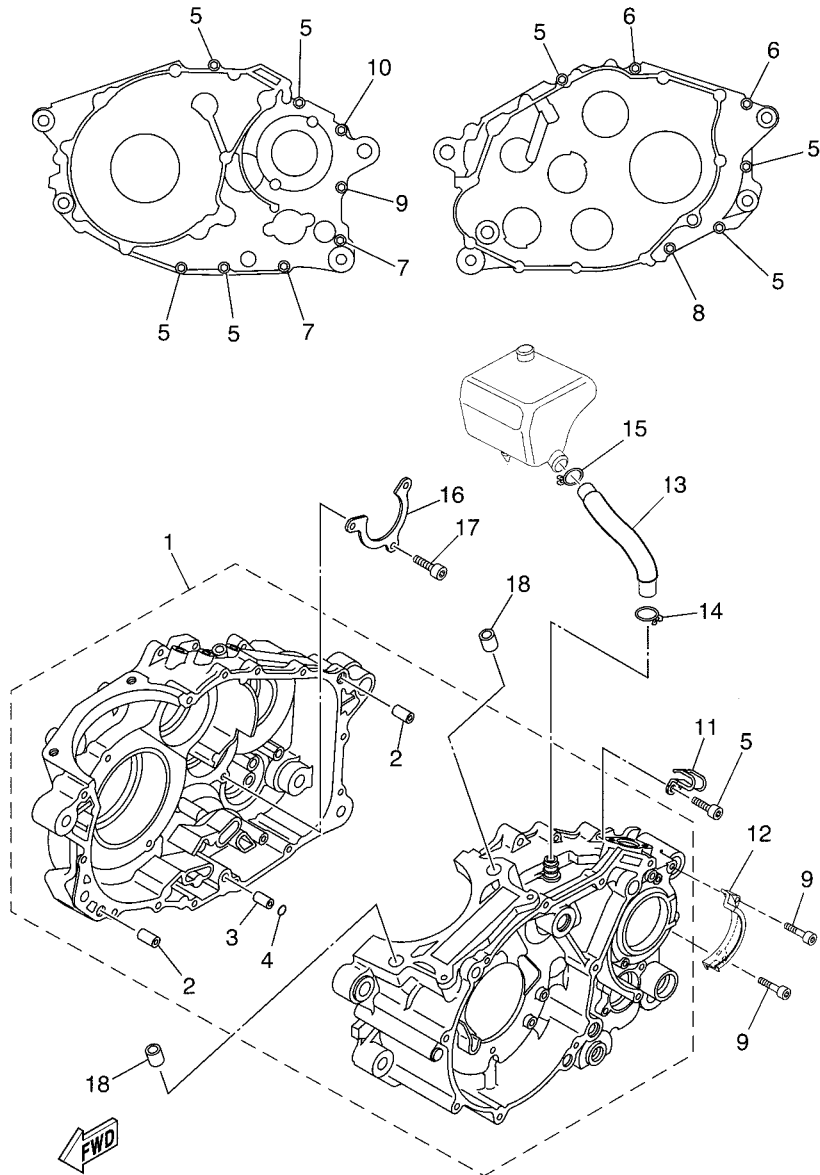
REF. NO.	PART NO.	DESCRIPTION	010	020	030	REMARKS
1	5YK-E4611-10	PIPE, EXHAUST 1	1	1	1	
2	1B9-8592A-00	SENSOR, OXYGEN	1	1	1	
3	5YK-E477R-00	BAND 1	1	1	1	
4	90105-08X20	.BOLT, FLANGE	1	1	1	
5	5YK-E4621-00	PIPE, EXHAUST 2	1	1	1	
6	4EL-14714-00	GASKET, MUFFLER	2	2	2	
7	5YK-E4612-00	NUT, RING	1	1	1	
8	90179-08442	NUT	4	4	4	
9	3YF-14613-01	GASKET, EXHAUST PIPE	2	2	2	
10	5YK-E477T-00	BAND 2	1	1	1	
11	90105-08X20	.BOLT, FLANGE	1	1	1	
12	11D-E4628-00	PROTECTOR, EXHAUST PIPE	1	1	1	
13	11D-E113B-00	INSULATOR 3	1	1	1	
14	11D-E4624-00	COVER, EXHAUST	1	1	1	
15	11D-E113B-10	INSULATOR 3	1	1	1	
16	90111-06X17	BOLT, HEX. SOCKET BUTTON	2	2	2	
17	90387-06X02	COLLAR	2	2	2	
18	91380-08020	BOLT	1	1	1	
19	5CH-E4766-00	WASHER, PROTECTOR	1	1	1	
20	11D-E4631-00	PIPE, EXHAUST 3	1	1	1	
21	11D-E4715-00	BAND, MUFFLER	1	1	1	
22	90105-08X20	.BOLT, FLANGE	1	1	1	
23	5YK-E4714-00	GASKET, MUFFLER	1	1	1	
24	11D-E4710-00	MUFFLER ASSY 1	1	1	1	
25	11D-E4708-00	PROTECTOR ASSY	1	1	1	
26	11D-E4718-00	.PROTECTOR, MUFFLER 1	1	1	1	
27	11D-E111B-00	.INSULATOR 1	1	1	1	

FIG. 12 EXHAUST



11D1300-G120

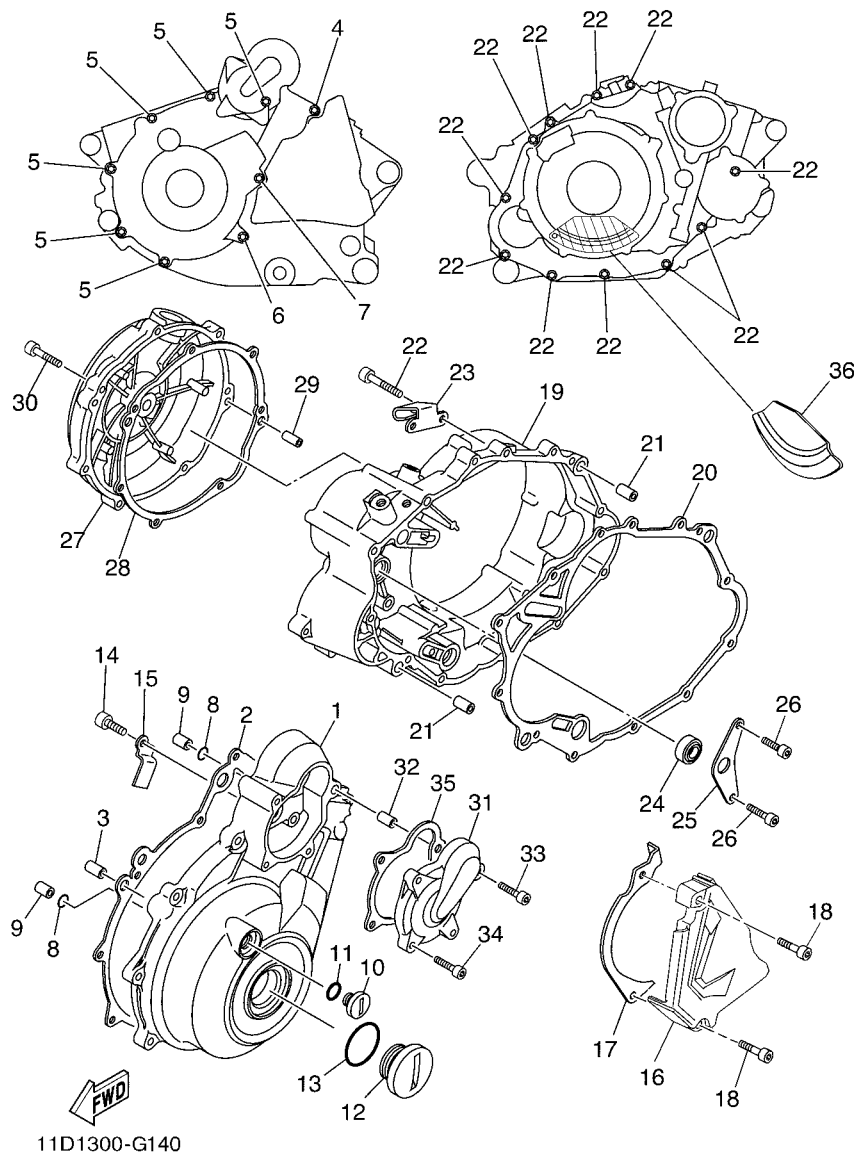
REF. NO.	PART NO.	DESCRIPTION	010	020	030	REMARKS
28	11D-E4787-00	.CAP, SILENCER	1	1	1	
29	90267-40X01	.RIVET, BLIND	4	4	4	
30	9290L-04600	.WASHER	4	4	4	
31	90111-06068	BOLT,HEX. SOCKET BUTTON	4	4	4	
32	90480-12581	GROMMET	6	6	6	
33	11D-E4648-00	COLLAR 2	4	4	4	
34	90387-06X36	COLLAR	2	2	2	
35	2VW-F1736-00	NUT,PLATE	6	6	6	
36	11D-E4708-10	PROTECTOR ASSY	1	1	1	
37	11D-E4728-00	.PROTECTOR, MUFFLER 2	1	1	1	
38	11D-E112B-00	.INSULATOR 2	1	1	1	
39	11D-E4798-00	.CAP, SILENCER 2	1	1	1	
40	90267-40X01	.RIVET, BLIND	4	4	4	
41	9290L-04600	.WASHER	4	4	4	
42	90111-06023	BOLT,HEX. SOCKET BUTTON	2	2	2	
43	11D-E4770-00	STAY, MUFFLER 1	1	1	1	
44	95817-08014	BOLT, FLANGE	2	2	2	
45	90201-086A3	WASHER, PLATE	2	2	2	
46	91380-08030	BOLT	2	2	2	
47	5YK-F117B-A0	LABEL, WARNING	1	1	1	
48	5DS-F8317-00	NUT, EMBLEM	1	1	1	
49	90167-04X00	SCREW, TAPPING	1	1	1	



11D1300-G130

FIG. 13 CRANKCASE

REF. NO.	PART NO.	DESCRIPTION	010	020	030	REMARKS
1	5VK-E5100-00	CRANKCASE ASSY	1	1	1	
2	99530-12016	.PIN, DOWEL	2	2	2	
3	91808-16X00	.PIN, DOWEL	1	1	1	
4	93210-07X01	.O-RING	1	1	1	
5	91317-06030	BOLT	7	7	7	
6	91317-06045	BOLT	2	2	2	
7	91317-06055	BOLT	2	2	2	
8	91317-06060	BOLT	1	1	1	
9	91317-06080	BOLT	1	1	1	
10	91317-06090	BOLT	1	1	1	
11	90462-07X00	CLAMP	1	1	1	
12	11D-E5492-01	COVER	1	1	1	
13	5YK-E1166-00	PIPE, BREATHER 1	1	1	1	
14	90467-14015	CLIP	1	1	1	
15	90467-14015	CLIP	1	1	1	
16	5VK-E5383-00	PLATE, BEARING COVER	1	1	1	
17	91317-06016	BOLT	3	3	3	
18	99530-14016	PIN, DOWEL	2	2	2	

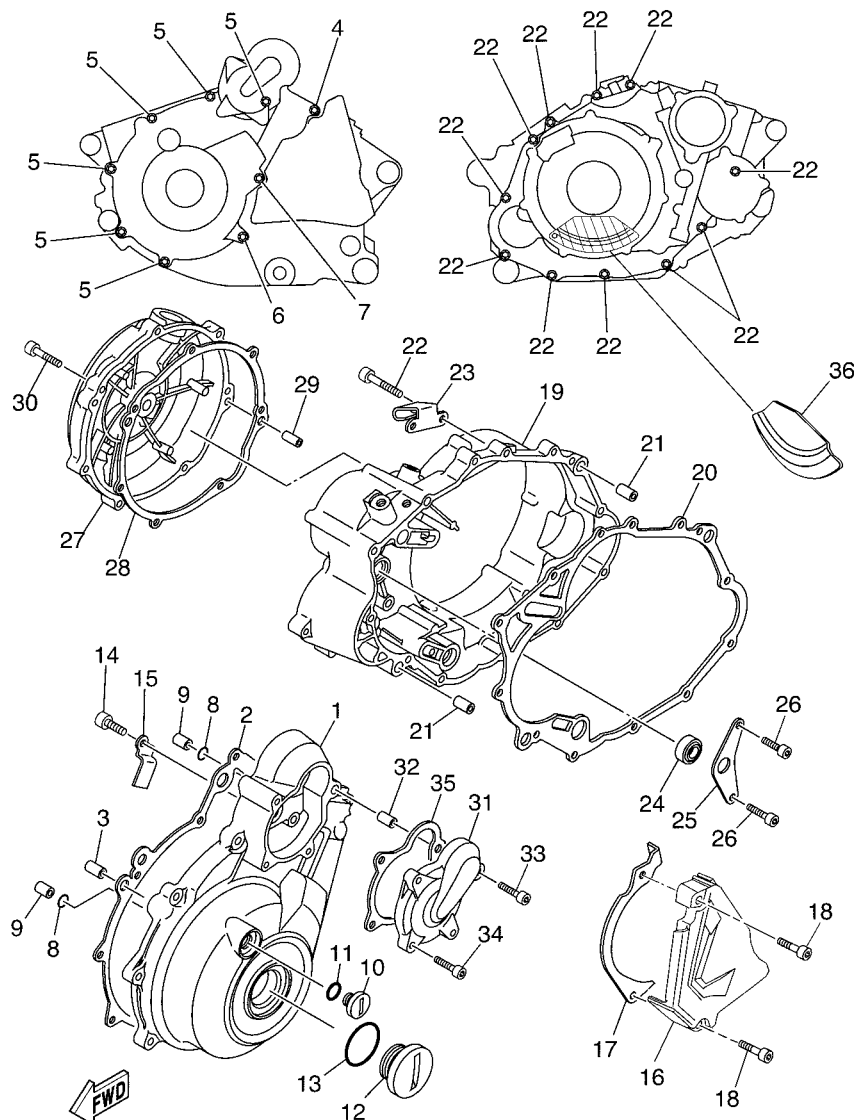


11D1300-G140

FIG. 14 CRANKCASE COVER 1

REF. NO.	PART NO.	DESCRIPTION	010	020	030	REMARKS
1	5VK-WE541-00	CRANKCASE COVER ASSY 1	1	1	1	
2	5VK-E5451-10	GASKET, CRANKCASE COVER 1	1	1	1	
3	99530-12016	PIN, DOWEL	2	2	2	
4	91317-06035	BOLT	1	1	1	
5	91317-06025	BOLT	6	6	6	
6	91317-06050	BOLT	1	1	1	
7	91317-06050	BOLT	1	1	1	
8	93210-13X00	O-RING	2	2	2	
9	99530-12016	PIN, DOWEL	2	2	2	
10	90340-14X00	PLUG, STRAIGHT SCREW	1	1	1	
11	93210-14X00	O-RING	1	1	1	
12	90340-36X00	PLUG, STRAIGHT SCREW	1	1	1	
13	93210-35X00	O-RING	1	1	1	
14	91317-06012	BOLT	1	1	1	
15	90462-16X00	CLAMP	1	1	1	
16	11D-E5421-00	COVER, CRANKCASE 2	1	1	1	
17	5VK-E7466-00	GUIDE, CHAIN	1	1	1	
18	91317-06045	BOLT	2	2	2	
19	5VK-E5431-00	COVER, CRANKCASE 3	1	1	1	
20	5VK-E5462-10	GASKET, CRANKCASE COVER 3	1	1	1	
21	99530-12016	PIN, DOWEL	2	2	2	
22	91317-06030	BOLT	11	11	11	
23	5VK-E5441-01	HOLDER, CLUTCH CABLE	1	1	1	
24	93101-14164	OIL SEAL	1	1	1	
25	5VK-E5118-00	HOLDER	1	1	1	
26	91317-06012	BOLT	2	2	2	
27	5VK-E5416-00	COVER, OIL PUMP	1	1	1	





11D1300-G140

FIG. 14 CRANKCASE COVER 1

REF. NO.	PART NO.	DESCRIPTION	010	020	030	REMARKS
28	5VK-E5453-10	GASKET	1	1	1	
29	91808-16X00	PIN, DOWEL	2	2	2	
30	90105-06X20	BOLT, FLANGE	7	7	7	
31	5VK-WE544-00	GENERATOR COVER ASSY	1	1	1	
32	91808-16X00	PIN, DOWEL	1	1	1	
33	91317-06035	BOLT	1	1	1	
34	91317-06025	BOLT	3	3	3	
35	5VK-15455-00	GASKET 1	1	1	1	
36	11D-E5491-00	PROTECTOR	1	1	1	
-----						
-----						
-----						
-----						
-----						
-----						
-----						
-----						
-----						

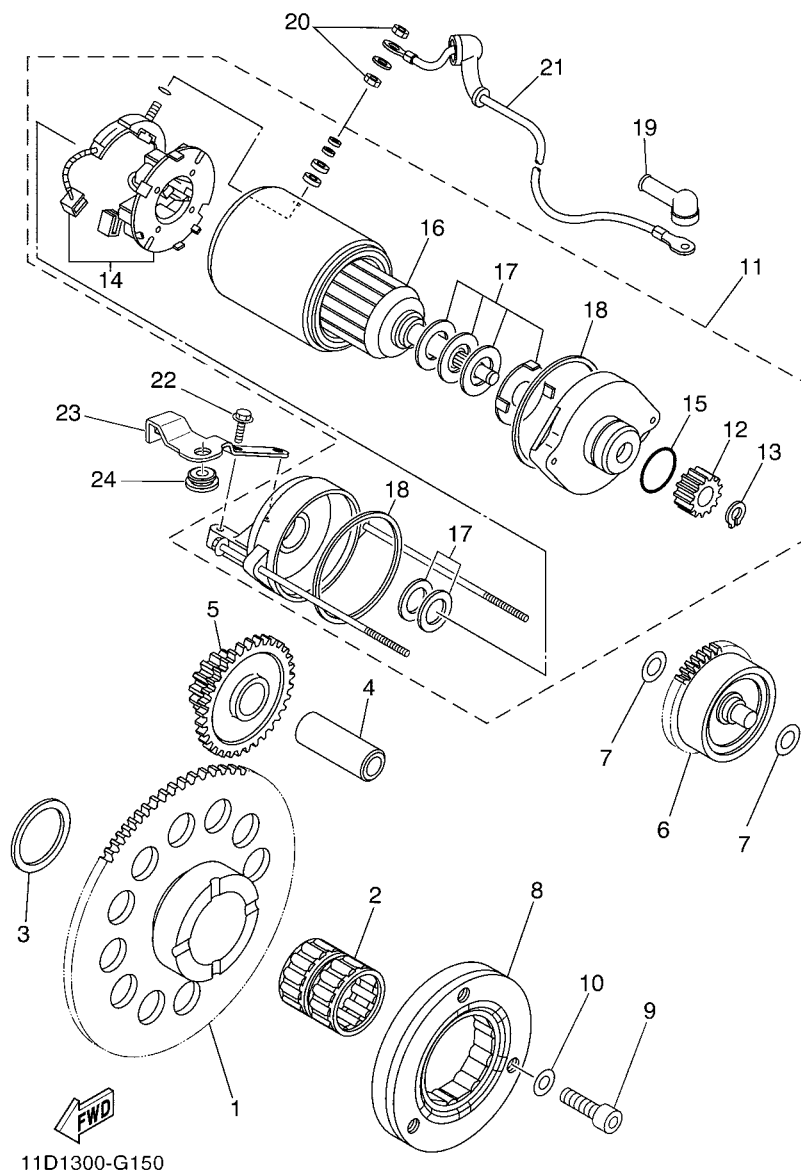


FIG. 15 STARTER

REF. NO.	PART NO.	DESCRIPTION	010	020	030	REMARKS
1	3YF-15515-00	GEAR 3	1	1	1	
2	93310-530C7	BEARING	1	1	1	
3	90201-30X01	WASHER, PLATE	1	1	1	
4	5VK-E5522-00	SHAFT 2	1	1	1	
5	5VK-E5517-00	GEAR, IDLER 2	1	1	1	
6	5VK-E5560-00	DAMPER ASSY	1	1	1	
7	90201-10X18	WASHER, PLATE	2	2	2	
8	5VK-15590-00	STARTER ONE-WAY ASSY	1	1	1	
9	91317-08025	BOLT	3	3	3	
10	90201-08X18	WASHER, PLATE	3	3	3	
11	3SX-H1890-00	MOTOR ASSY	1	1	1	
12	5VK-E5511-00	.GEAR, STARTING MOTOR	1	1	1	
13	93440-11024	.CIRCLIP	1	1	1	
14	5VK-H1801-00	.BRUSH SET	1	1	1	
15	5VK-H1847-00	.O-RING	1	1	1	
16	5VK-H1850-00	.ARMATURE ASSY	1	1	1	
17	5VK-H1809-00	.WASHER KIT	1	1	1	
18	5VK-H1844-00	.GASKET	2	2	2	
19	5VK-H1871-00	CAP	1	1	1	
20	5VK-H182A-00	NUT	2	2	2	
21	5VK-H1815-00	CORD, STARTER MOTOR	1	1	1	
22	95817-06035	BOLT, FLANGE	2	2	2	
23	11D-E5199-00	BRACKET	1	1	1	
24	90480-13398	GROMMET	1	1	1	

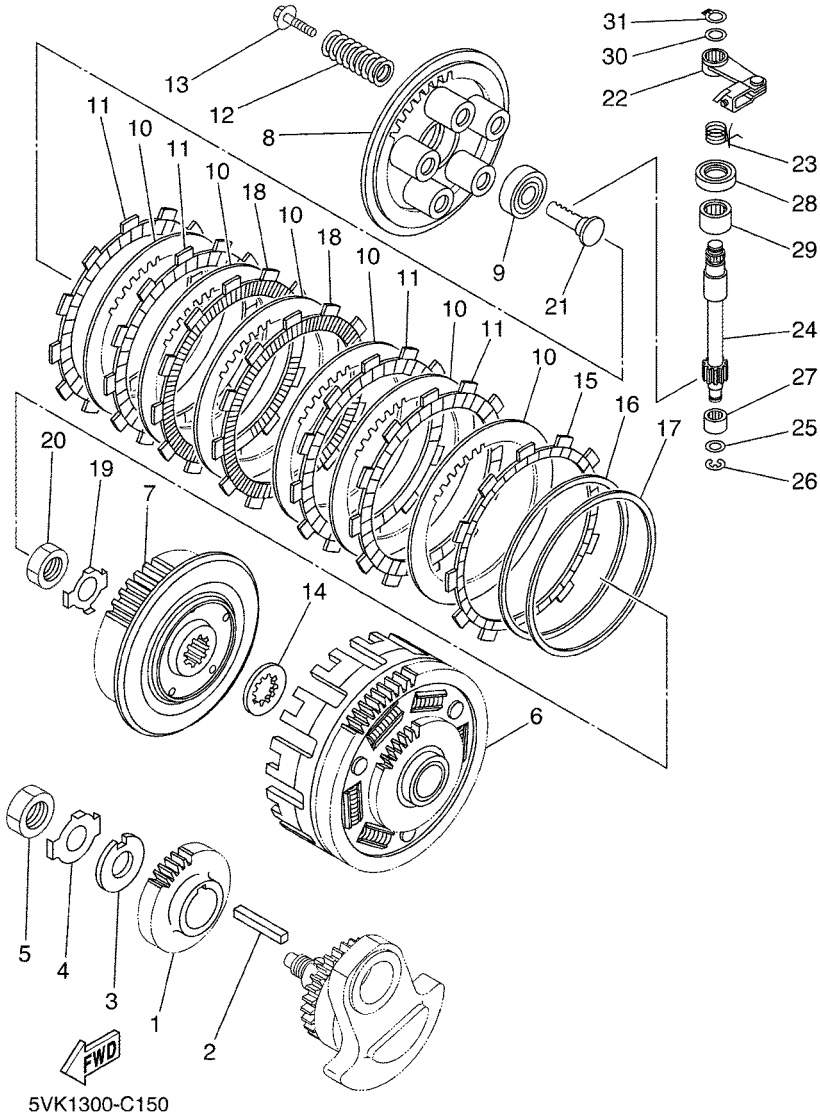
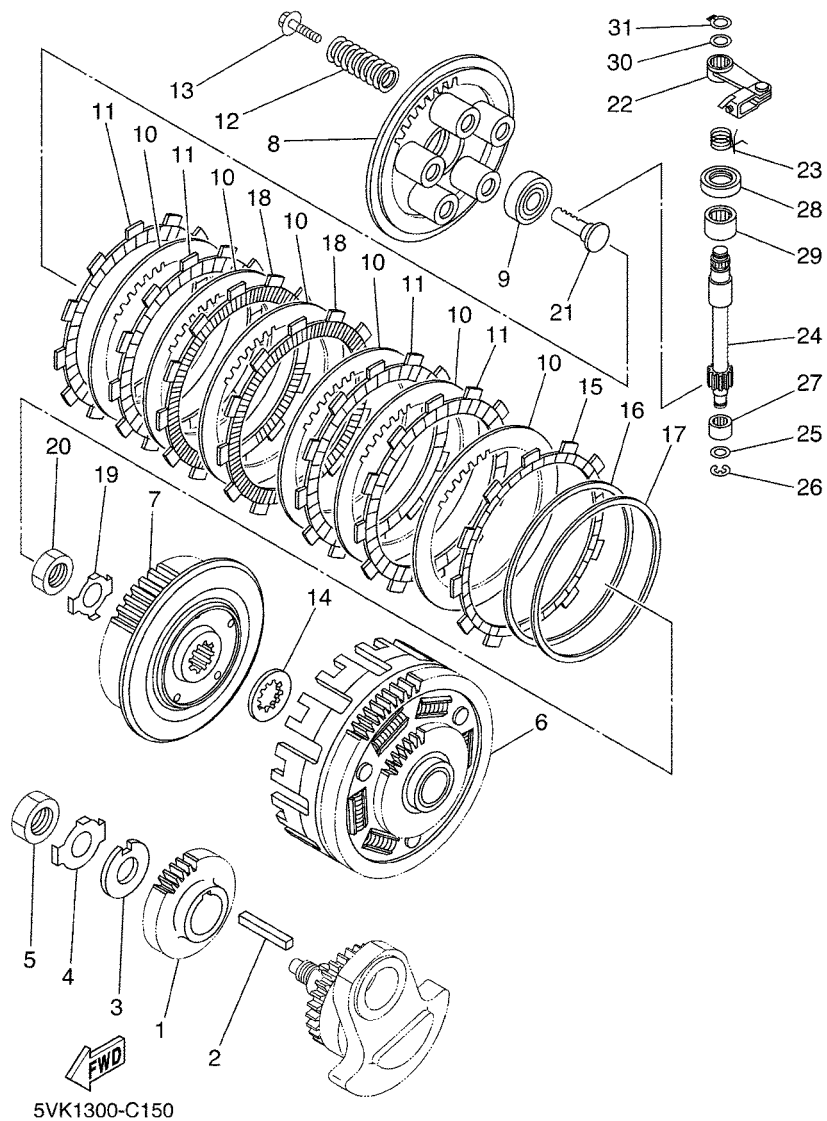


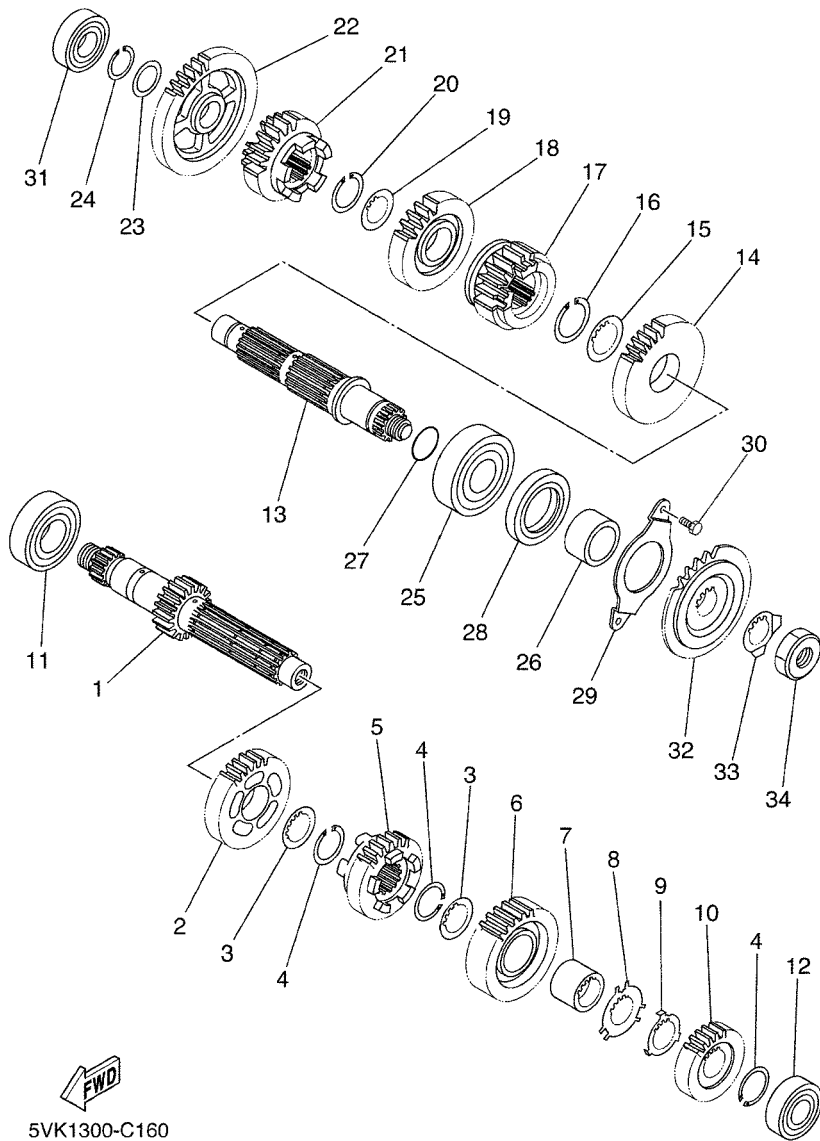
FIG. 16 CLUTCH

REF. NO.	PART NO.	DESCRIPTION	010	020	030	REMARKS
1	5VK-E6111-00	GEAR, PRIMARY DRIVE	1	1	1	
2	90282-07001	KEY, STRAIGHT	1	1	1	
3	90209-20012	WASHER	1	1	1	
4	90215-20X00	WASHER, LOCK	1	1	1	
5	90170-20274	NUT	1	1	1	
6	5VK-E6150-00	PRIMARY DRIVEN GEAR COMP.	1	1	1	
7	5VK-16371-00	BOSS, CLUTCH	1	1	1	
8	5VK-16351-00	PLATE, PRESSURE 1	1	1	1	
9	93306-00304	BEARING	1	1	1	
10	4X7-16325-00	PLATE, CLUTCH 2	6	6	6	
11	22U-16321-00	PLATE, FRICTION	4	4	4	
12	90501-260A1	SPRING, COMPRESSION	5	5	5	
13	90119-06105	BOLT, WITH WASHER	5	5	5	
14	2JN-16154-00	PLATE, THRUST 1	1	1	1	
15	5VK-16331-00	PLATE, FRICTION 2	1	1	1	
16	5JG-16383-00	SPRING, CLUTCH BOSS	1	1	1	
17	5JG-16384-00	PLATE, SEAT	1	1	1	
18	5TA-16321-00	PLATE, FRICTION	2	2	2	
19	90215-20X01	WASHER, LOCK	1	1	1	
20	90170-20327	NUT	1	1	1	
21	4XV-16356-01	ROD, PUSH 1	1	1	1	
22	5VK-16340-00	PUSH LEVER ASSY	1	1	1	
23	90508-16X00	SPRING, TORSION	1	1	1	
24	5VK-E6382-00	AXLE, PUSH LEVER	1	1	1	
25	90201-08X19	WASHER, PLATE	1	1	1	
26	99001-07600	CIRCLIP	1	1	1	
27	93317-11020	BEARING	1	1	1	



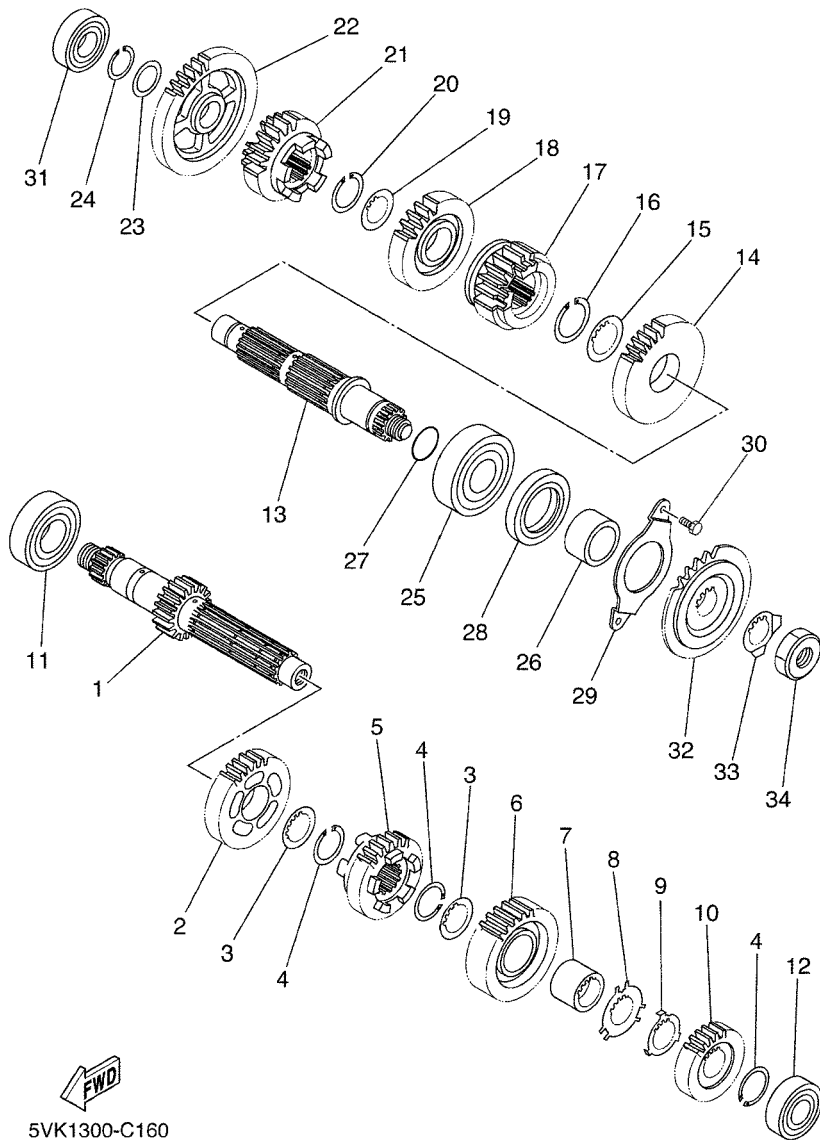
**FIG. 16 CLUTCH**

REF. NO.	PART NO.	DESCRIPTION	010	020	030	REMARKS
28	93102-15212	OIL SEAL	1	1	1	
29	93315-31502	BEARING	1	1	1	
30	90201-10X17	WASHER, PLATE	1	1	1	
31	99009-10400	CIRCLIP	1	1	1	
<hr/>						
<hr/>						
<hr/>						
<hr/>						
<hr/>						
<hr/>						
<hr/>						
<hr/>						



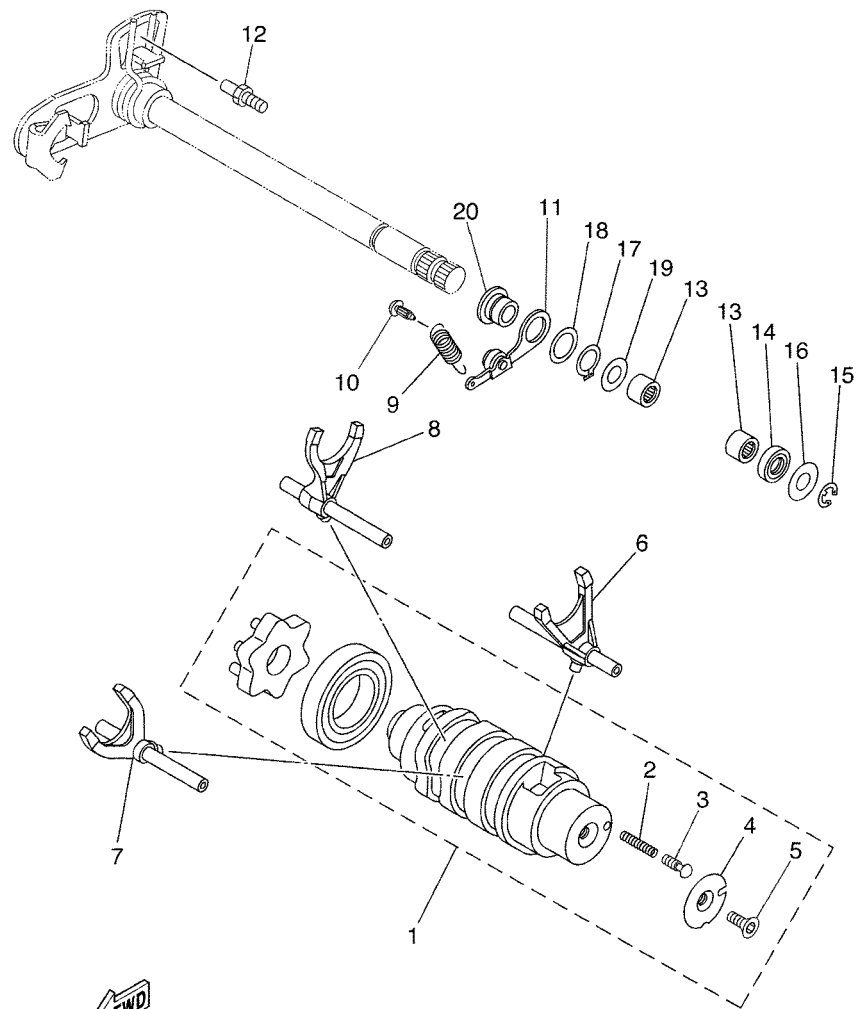
**FIG. 17 TRANSMISSION**

REF. NO.	PART NO.	DESCRIPTION				REMARKS
			010	020	030	
1	5VK-E7401-00	MAIN AXLE ASSY(12T)	1	1	1	
2	5VK-E7141-00	GEAR, 4TH PINION (22T)	1	1	1	
	5VK-E7141-10	GEAR, 4TH PINION (22T)	1	1	1	AP
3	90209-21X00	WASHER	2	2	2	
4	93440-25084	CIRCLIP	3	3	3	
5	5VK-E7131-00	GEAR, 3RD PINION (20T)	1	1	1	
6	5VK-E7151-00	GEAR, 5TH PINION (26T)	1	1	1	
	5VK-E7151-10	GEAR, 5TH PINION (26T)	1	1	1	AP
7	90387-21002	COLLAR	1	1	1	
8	90209-22X00	WASHER	1	1	1	
9	90209-21351	WASHER	1	1	1	
10	5VK-E7121-00	GEAR, 2ND PINION (16T)	1	1	1	
11	93306-205XA	BEARING	1	1	1	
12	93306-004XL	BEARING	1	1	1	
13	5VK-E7402-00	DRIVE AXLE ASSY	1	1	1	
14	5VK-E7221-00	GEAR, 2ND WHEEL (26T)	1	1	1	
15	90209-26348	WASHER	1	1	1	
16	93440-28062	CIRCLIP	1	1	1	
17	5VK-E7251-00	GEAR, 5TH WHEEL (20T)	1	1	1	
18	5VK-E7231-00	GEAR, 3RD WHEEL (23T)	1	1	1	
19	90209-21X00	WASHER	1	1	1	
20	93440-25084	CIRCLIP	1	1	1	
21	5VK-E7241-00	GEAR, 4TH WHEEL (20T)	1	1	1	
22	5VK-E7211-00	GEAR, 1ST WHEEL (30T)	1	1	1	
23	90201-208G4	WASHER, PLATE	1	1	1	
24	93410-20825	CIRCLIP	1	1	1	
25	93306-305X4	BEARING	1	1	1	



**FIG. 17 TRANSMISSION**

REF. NO.	PART NO.	DESCRIPTION	010	020	030	REMARKS
26	90387-25802	COLLAR	1	1	1	
27	93210-22X00	O-RING	1	1	1	
28	93102-35368	OIL SEAL	1	1	1	
29	5VK-E7471-00	PLATE, COVER	1	1	1	
30	90101-06X26	BOLT	2	2	2	
31	93306-004XM	BEARING	1	1	1	
32	5VK-E7460-10	SPROCKET, DRIVE	1	1	1	
33	90215-21X00	WASHER, LOCK	1	1	1	
34	90179-18003	NUT	1	1	1	



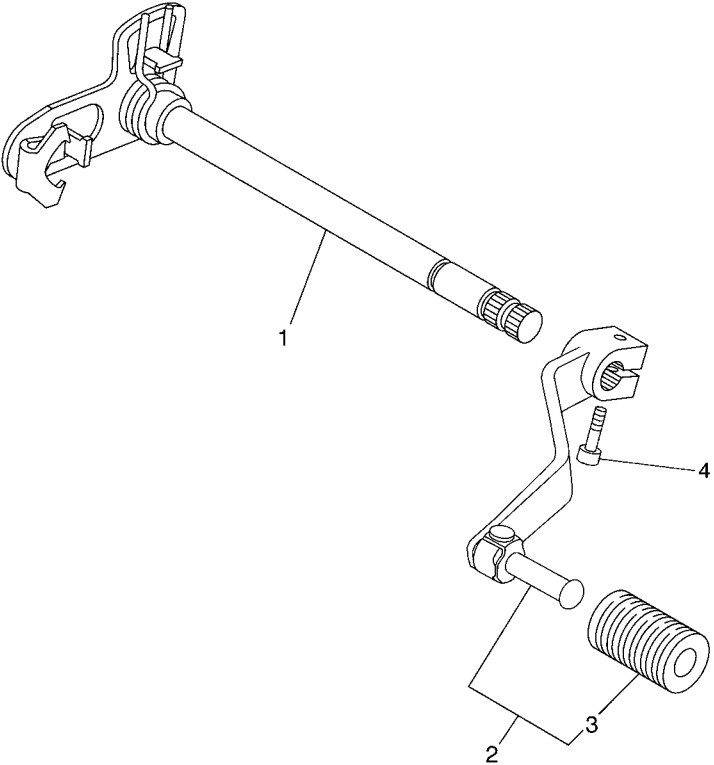
5VK1300-C170

FIG. 18 SHIFT CAM & FORK

REF. NO.	PART NO.	DESCRIPTION	010	020	030	REMARKS
1	5VK-18540-00	SHIFT CAM ASSY	1	1	1	
2	90501-06022	.SPRING, COMPRESSION	1	1	1	
3	4UN-18542-00	.POINT, NEUTRAL	1	1	1	
4	4UN-18566-00	.PLATE, SIDE 2	1	1	1	
5	90149-05321	.SCREW	1	1	1	
6	5VK-E8501-00	FORK, SHIFT 1	1	1	1	
7	5VK-E8502-00	FORK, SHIFT 2	1	1	1	
8	5VK-E8503-00	FORK, SHIFT 3	1	1	1	
9	5VK-E8144-00	HANGER, SPRING	1	1	1	
10	132-16346-00	HOOK, SPRING	1	1	1	
11	5JW-18140-00	STOPPER LEVER ASSY	1	1	1	
12	5VK-18127-00	STOPPER, SCREW	1	1	1	
13	93315-11206	BEARING	2	2	2	
14	93102-12106	OIL SEAL (SD 12-22-5 HS)	1	1	1	
15	99001-10600	CIRCLIP	1	1	1	
16	90201-12X06	WASHER, PLATE	1	1	1	
17	93410-17X00	CIRCLIP	1	1	1	
18	90201-17X01	WASHER, PLATE	1	1	1	
19	90201-12X05	WASHER, PLATE	1	1	1	
20	5VK-E8699-00	BOSS 1	1	1	1	

FIG. 19 SHIFT SHAFT

REF. NO.	PART NO.	DESCRIPTION	010	020	030	REMARKS
1	5VK-18101-00	SHIFT SHAFT ASSY	1	1	1	
2	11D-E8110-00	SHIFT PEDAL ASSY	1	1	1	
3	5VK-E8113-00	.COVER, SHIFT PEDAL	1	1	1	
4	91317-06020	BOLT	1	1	1	
-----						
-----						
-----						
-----						
-----						
-----						
-----						
-----						
-----						
-----						





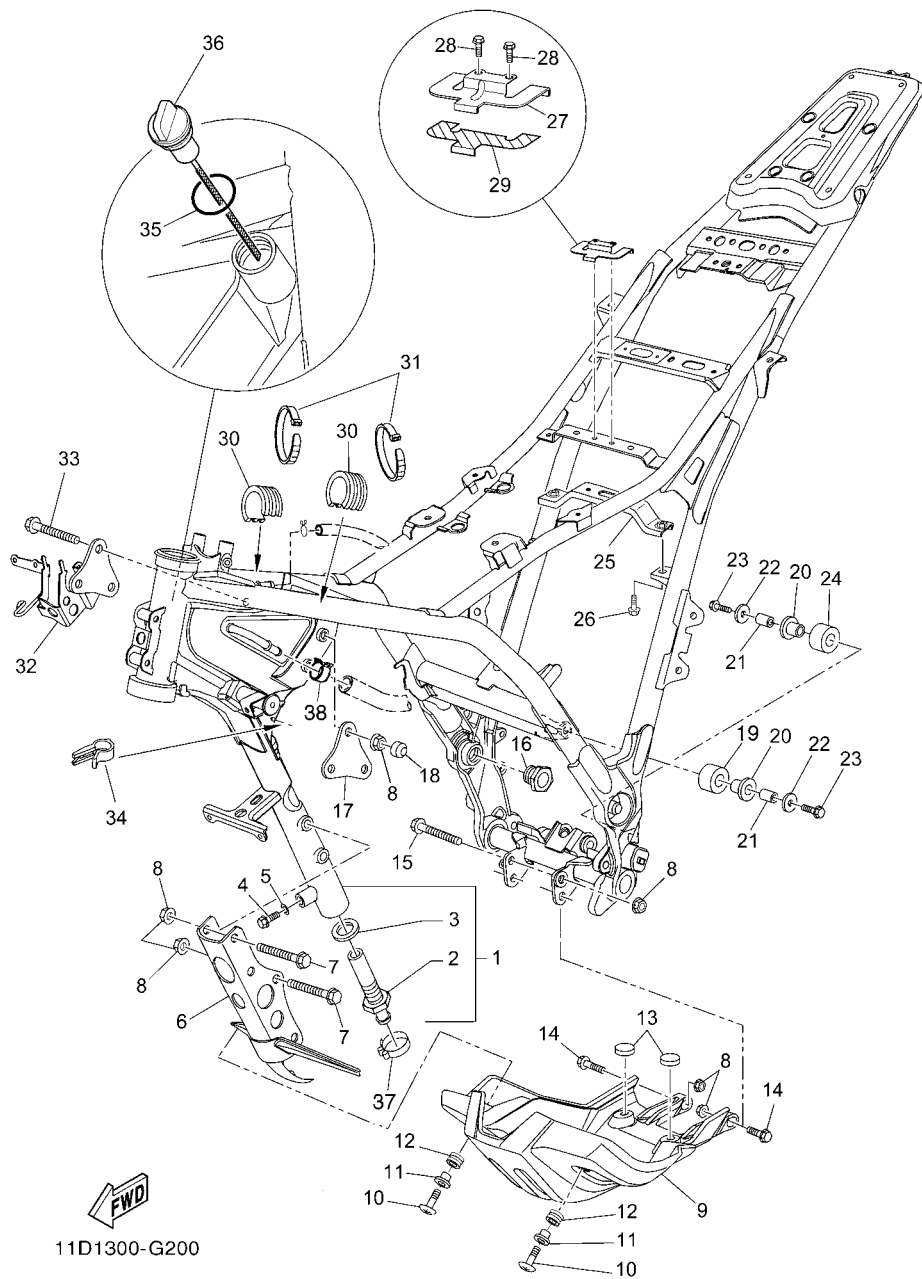
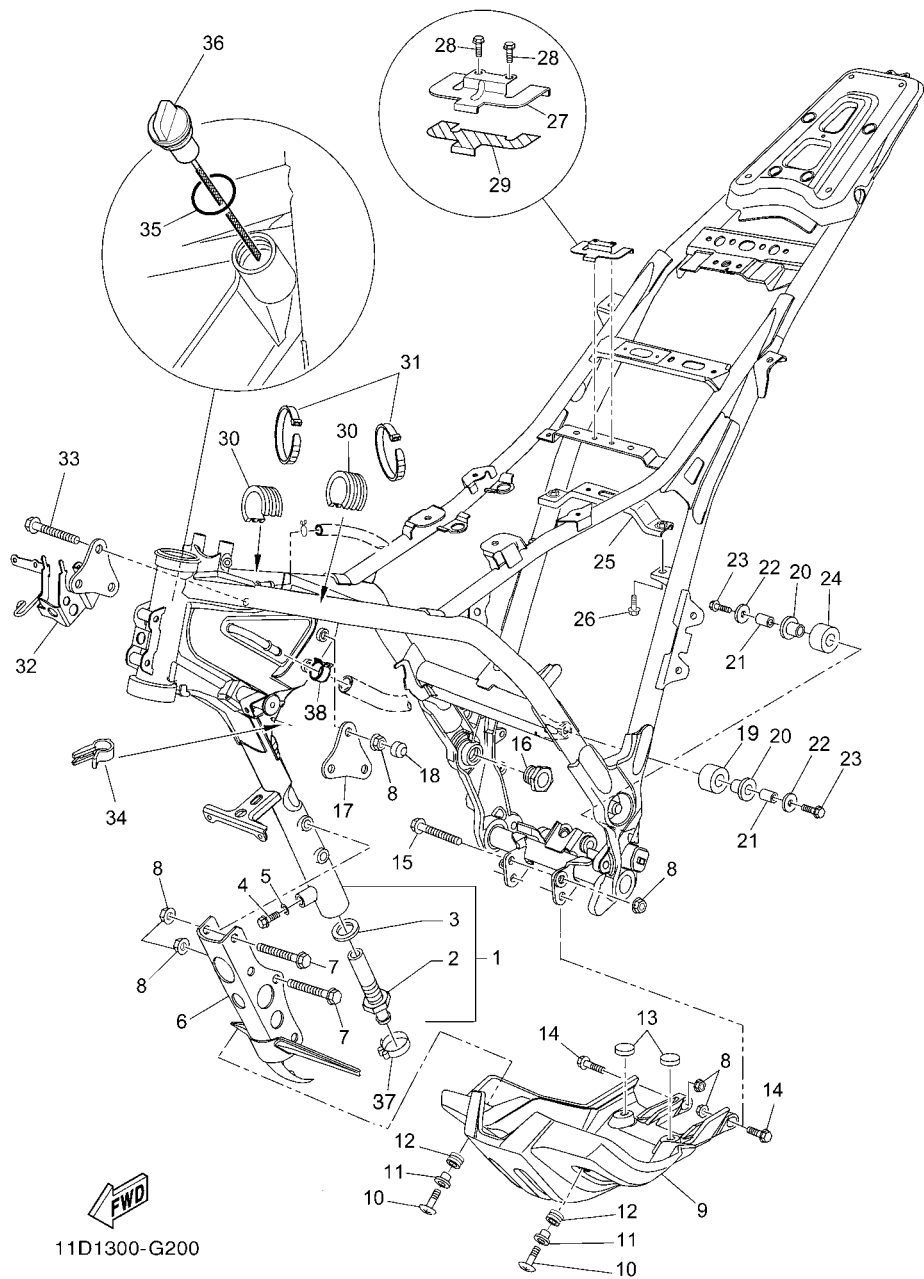


FIG. 20 FRAME

REF. NO.	PART NO.	DESCRIPTION	010	020	030	REMARKS
1	11D-F1110-00-98	FRAME COMP.	1	1	1	LGB FOR SMX,BW...
2	5VK-F1756-00	.NET, FILTER	1	1	1	
3	90430-22123	.GASKET	1	1	1	
4	95807-08012	BOLT, FLANGE	1	1	1	
5	90430-08119	GASKET	1	1	1	
6	11D-F1400-00	ENGINE BRACKET COMP.	1	1	1	
7	95817-10070	BOLT, FLANGE	4	4	4	
8	95607-10200	NUT, U FLANGE	10	10	10	
9	11D-F1471-00	PROTECTOR, ENGINE	1	1	1	
10	90154-06061	SCREW, BINDING	2	2	2	
11	90387-065J6	COLLAR	2	2	2	
12	90480-12072	GROMMET	2	2	2	
13	2J5-21732-00	SEAL 1	2	2	2	
14	95817-10035	BOLT, FLANGE	2	2	2	
15	90105-10733	BOLT, FLANGE	1	1	1	
16	11D-F1494-00	NUT	1	1	1	
17	11D-F1315-00	STAY, ENGINE 2	1	1	1	
18	5YK-F1399-00	CAP	3	3	3	
19	10V-22178-00	TENSIONER	1	1	1	
20	10V-22184-00	BUSH	2	2	2	
21	90387-08024	COLLAR	2	2	2	
22	90201-082H0	WASHER, PLATE	2	2	2	
23	95827-08040	BOLT, FLANGE	2	2	2	
24	30X-22178-00	TENSIONER	1	1	1	
25	11D-F1344-00	BRACKET, BATTERY BOX	1	1	1	
26	9581M-06012	BOLT, FLANGE	2	2	2	
27	11D-F118W-10	STOPPER	1	1	1	



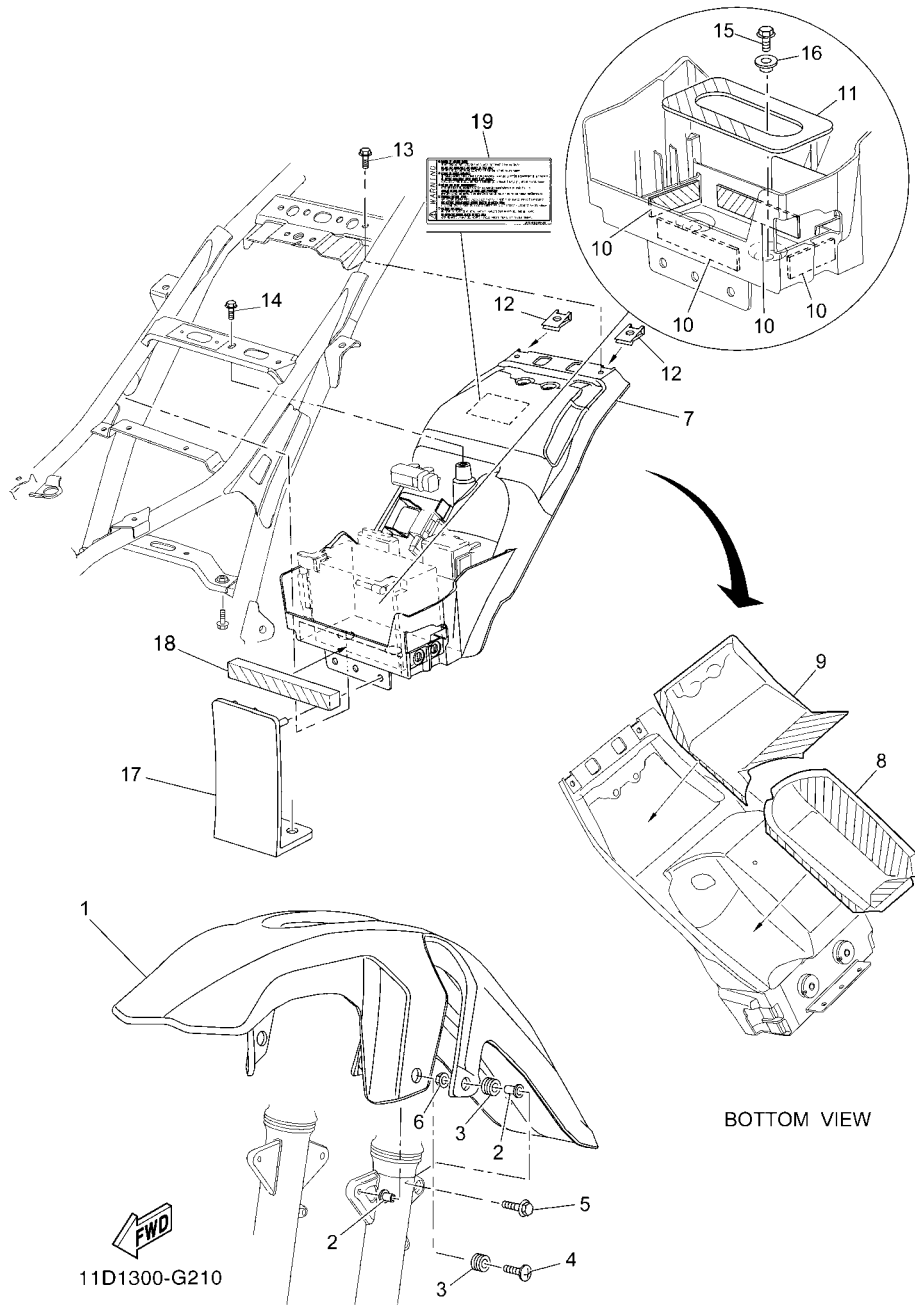
11D1300-G200

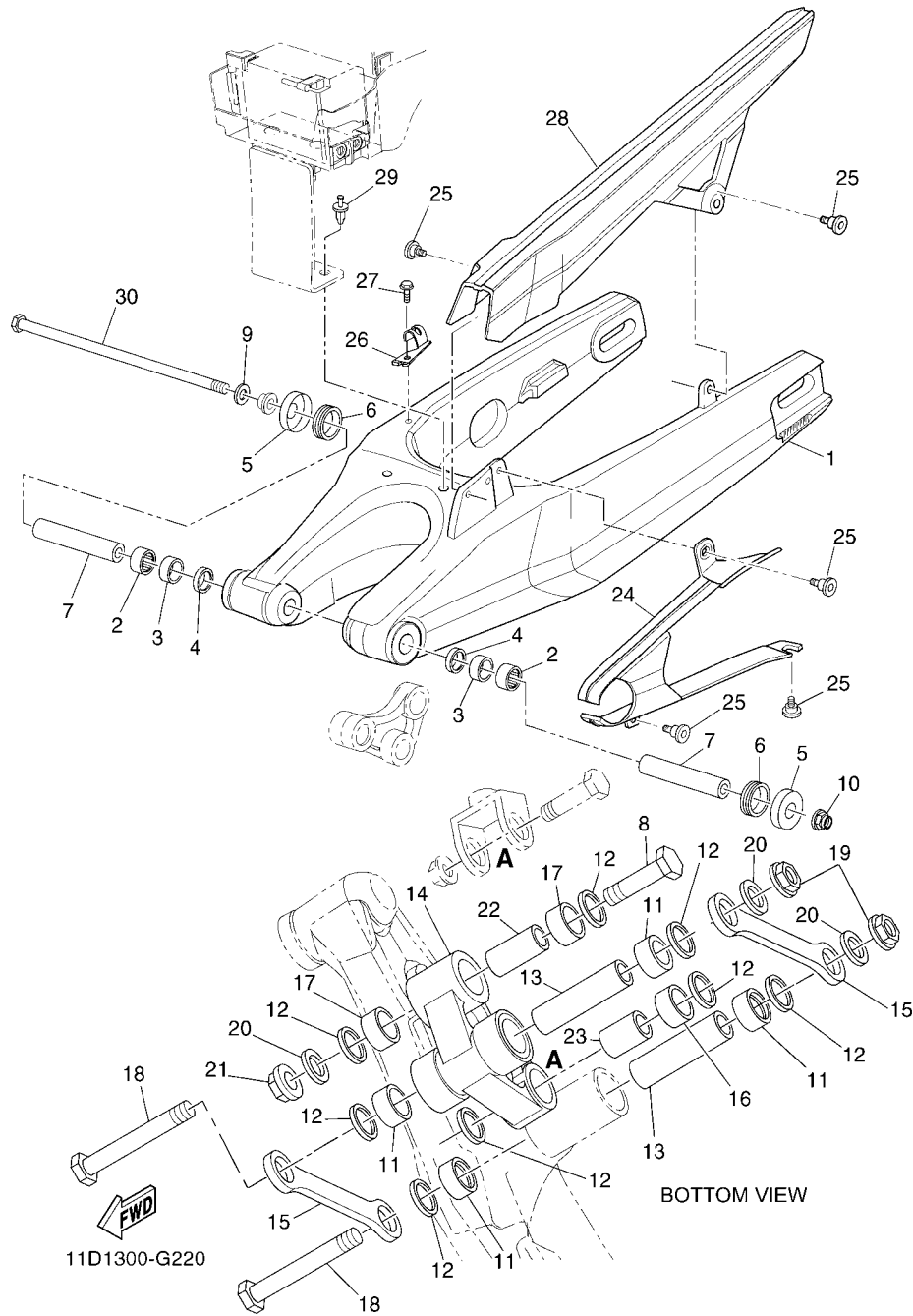
FIG. 20 FRAME

REF. NO.	PART NO.	DESCRIPTION	010	020	030	REMARKS
28	95807-06010	BOLT, FLANGE	2	2	2	
29	11D-F177M-00	DAMPER, LOCATING 3	1	1	1	
30	11D-F4183-00	DAMPER, LOCATING 3	2	2	2	
31	2AJ-F3192-50	BAND	4	4	4	
32	11D-F1410-00	ENGINE BRACKET COMP.	1	1	1	
33	90105-10212	BOLT, FLANGE	3	3	3	
34	90464-10X03	CLAMP	1	1	1	
35	93210-19123	O-RING	1	1	1	
36	11D-F1761-00	GAUGE, LEVEL	1	1	1	
37	90450-20X01	HOSE CLAMP ASSY	1	1	1	
38	90467-17800	CLIP	1	1	1	

FIG. 21 FENDER

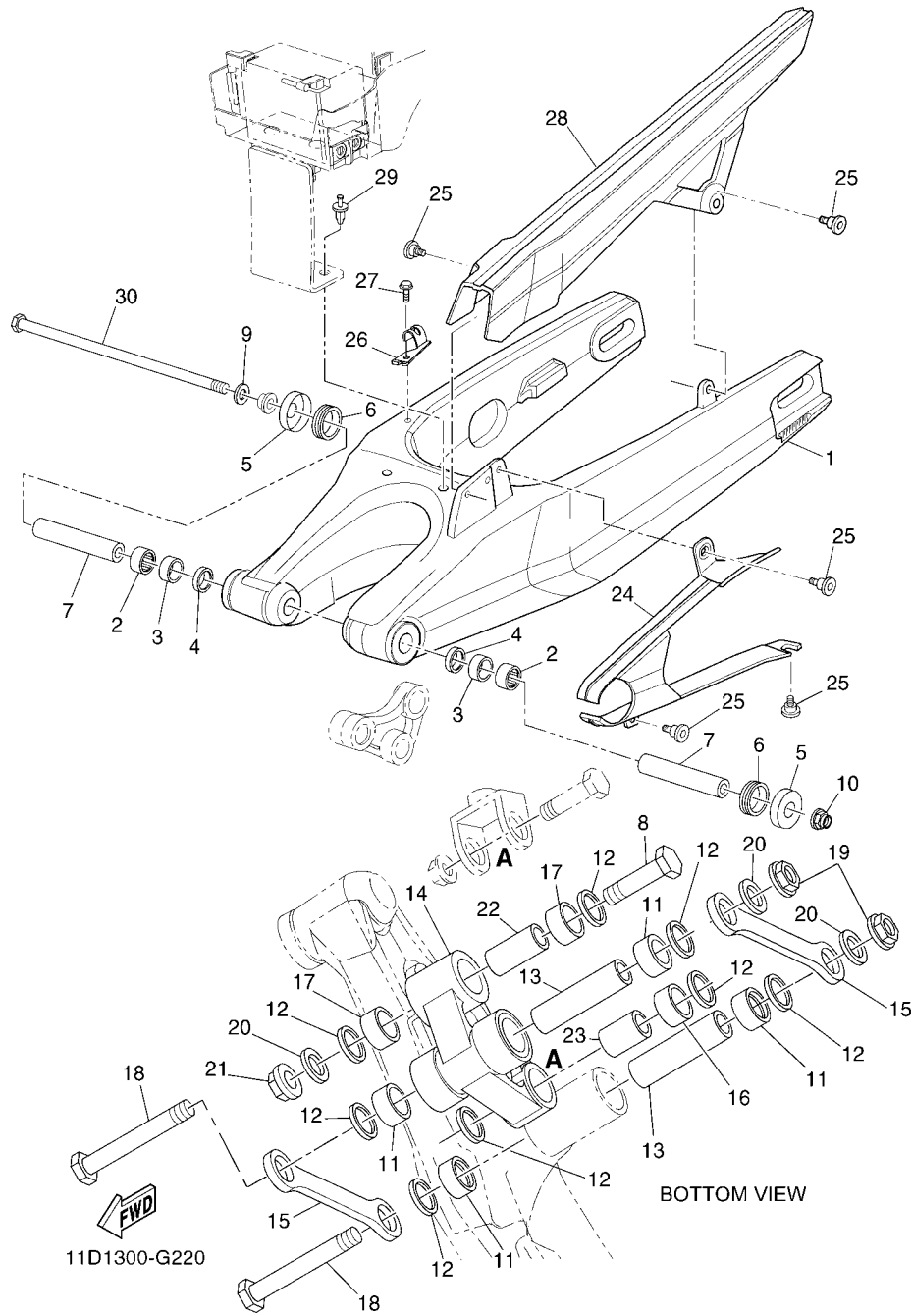
REF. NO.	PART NO.	DESCRIPTION	010	020	030	REMARKS
1	11D-F1511-00-P0	FENDER, FRONT	1	1	1	FOR SMX
	11D-F1511-00-P1	FENDER, FRONT	1	1	1	FOR BWC1
	11D-F1511-00-P2	FENDER, FRONT	1	1	1	FOR YNS5
2	90387-065J6	COLLAR	4	4	4	
3	90480-12497	GROMMET	4	4	4	
4	90154-06061	SCREW, BINDING	2	2	2	
5	95024-06025	BOLT, FLANGE	2	2	2	
6	90179-06403	NUT	2	2	2	
7	11D-F177G-00	BOX, BATTERY	1	1	1	
8	11D-F174A-01	INSULATOR, SIDE COVER	1	1	1	
9	11D-F174T-00	INSULATOR, SIDE COVER 2	1	1	1	
10	11D-F1779-00	DAMPER, LOCATING 2	4	4	4	
11	11D-F1778-00	DAMPER, LOCATING 1	1	1	1	
12	2VW-F1736-00	NUT,PLATE	2	2	2	
13	95807-06016	BOLT, FLANGE	2	2	2	
14	95807-06008	BOLT, FLANGE	1	1	1	
15	95807-06016	BOLT, FLANGE	2	2	2	
16	90387-06202	COLLAR	2	2	2	
17	11D-F1629-00	GUARD, MUD	1	1	1	
18	11D-F177N-00	DAMPER, LOCATING 4	1	1	1	
19	11D-F819R-10	TAG, WARNING	1	1	1	





**FIG. 22 REAR ARM**

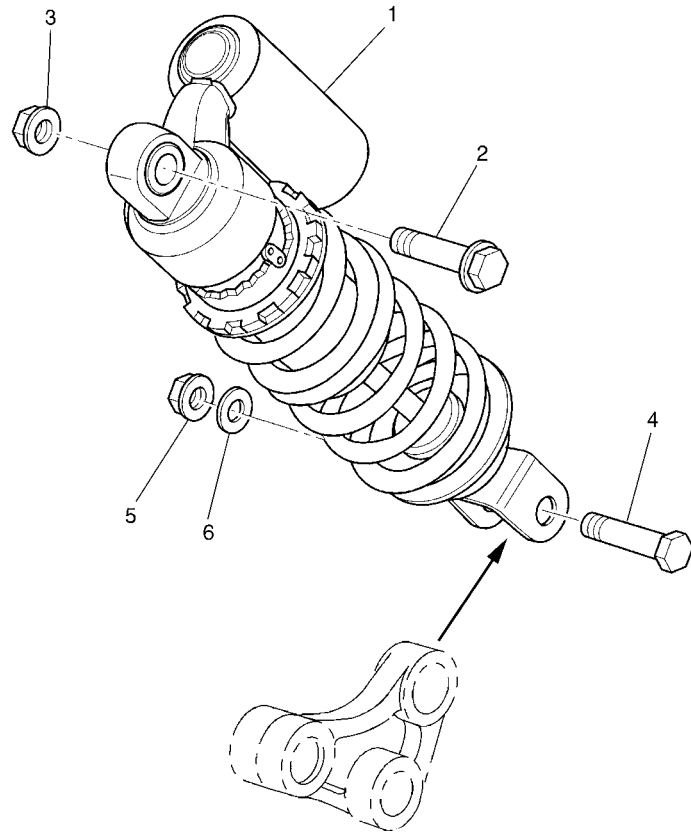
REF. NO.	PART NO.	DESCRIPTION	010	020	030	REMARKS
1	11D-F2110-00	REAR ARM COMP.	1	1	1	
2	93315-22251	BEARING	2	2	2	
3	90380-22111	BUSH, SOLID	2	2	2	
4	93106-22019	OIL SEAL (DC 22-28-8)	2	2	2	
5	30X-2219X-00	COVER	2	2	2	
6	93108-35004	OIL SEAL (35-41-8)	2	2	2	
7	11D-F2123-00	BUSH 1	2	2	2	
8	90101-12002	BOLT	1	1	1	
9	90201-16021	WASHER, PLATE	1	1	1	
10	95604-16200	NUT, U FLANGE	1	1	1	
11	93317-21746	BEARING	4	4	4	
12	93109-17071	OIL SEAL	8	8	8	
13	90387-126Y1	COLLAR	2	2	2	
14	11D-F217A-00	ARM, RELAY	1	1	1	
15	5JN-F217M-00	ARM 1	2	2	2	
16	93317-31771	BEARING	1	1	1	
17	93315-31758	BEARING	2	2	2	
18	90109-12X00	BOLT	2	2	2	
19	90185-12119	NUT, SELF-LOCKING	2	2	2	
20	90201-124G9	WASHER, PLATE	3	3	3	
21	95617-12100	NUT, U	1	1	1	
22	90387-124V0	COLLAR	1	1	1	
23	90387-127W0	COLLAR	1	1	1	
24	11D-F2151-00	SEAL, GUARD	1	1	1	
25	1C3-22969-10	SCREW, 1	7	7	7	
26	11D-F1823-00	CLAMP, HOSE	1	1	1	
27	95027-06012	BOLT, FLANGE	1	1	1	



**FIG. 22 REAR ARM**

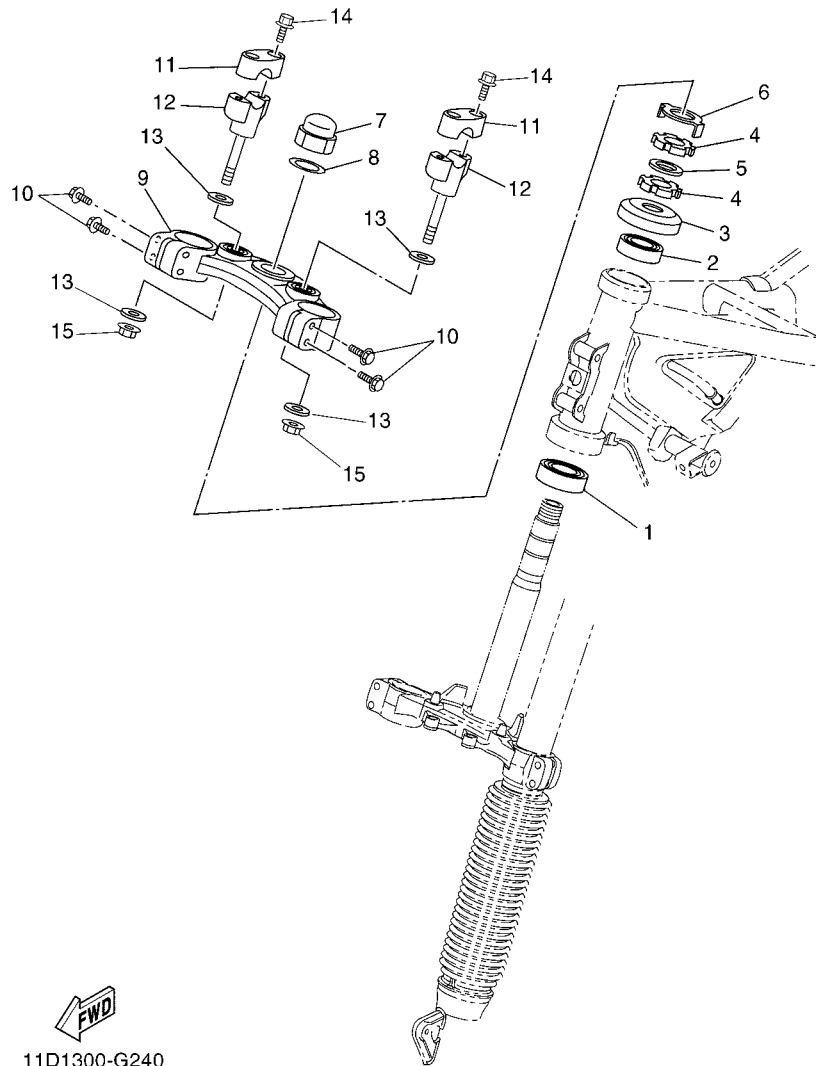
REF. NO.	PART NO.	DESCRIPTION	010	020	030	REMARKS
28	11D-F2311-00	CASE, CHAIN	1	1	1	
29	90269-08066	RIVET	2	2	2	
30	4YR-22141-10	SHAFT, PIVOT	1	1	1	
-----						
-----						
-----						
-----						
-----						
-----						
-----						
-----						
-----						
-----						

**FIG. 23 REAR SUSPENSION**



11D1300-G230

REF. NO.	PART NO.	DESCRIPTION	010	020	030			REMARKS
1	11D-F2210-00	SHOCK ABSORBER ASSY, REAR	1	1	1			
2	90105-12028	BOLT, FLANGE	1	1	1			
3	95607-12200	NUT, SELF-LOCKING	1	1	1			
4	90101-10659	BOLT	1	1	1			
5	95607-10200	NUT, U FLANGE	1	1	1			
6	90201-101J1	WASHER, PLATE	1	1	1			



11D1300-G240

FIG. 24 STEERING

REF. NO.	PART NO.	DESCRIPTION	010	020	030	REMARKS
1	93332-00008	BEARING	1	1	1	
2	93332-00001	BEARING	1	1	1	
3	1W1-23416-00	COVER, BALL RACE 2	1	1	1	
4	90179-25615	NUT	2	2	2	
5	90202-26142	WASHER, PLATE	1	1	1	
6	3YF-23418-00	WASHER, SPECIAL	1	1	1	
7	90176-22081	NUT, CROWN	1	1	1	
8	90201-220T0	WASHER, PLATE	1	1	1	
9	11D-F3430-00	HANDLE CROWN COMP.	1	1	1	
10	90105-08154	BOLT, FLANGE	4	4	4	
11	1E6-23441-10-35	HOLDER, HANDLE UPPER	2	2	2	SL FOR SMX,BWC...
12	3AJ-23442-00-35	HOLDER, HANDLE LOWER	2	2	2	SL FOR SMX,BWC...
13	90201-10141	WASHER, PLATE	4	4	4	
14	90105-08154	BOLT, FLANGE	4	4	4	
15	95607-10200	NUT, U FLANGE	2	2	2	

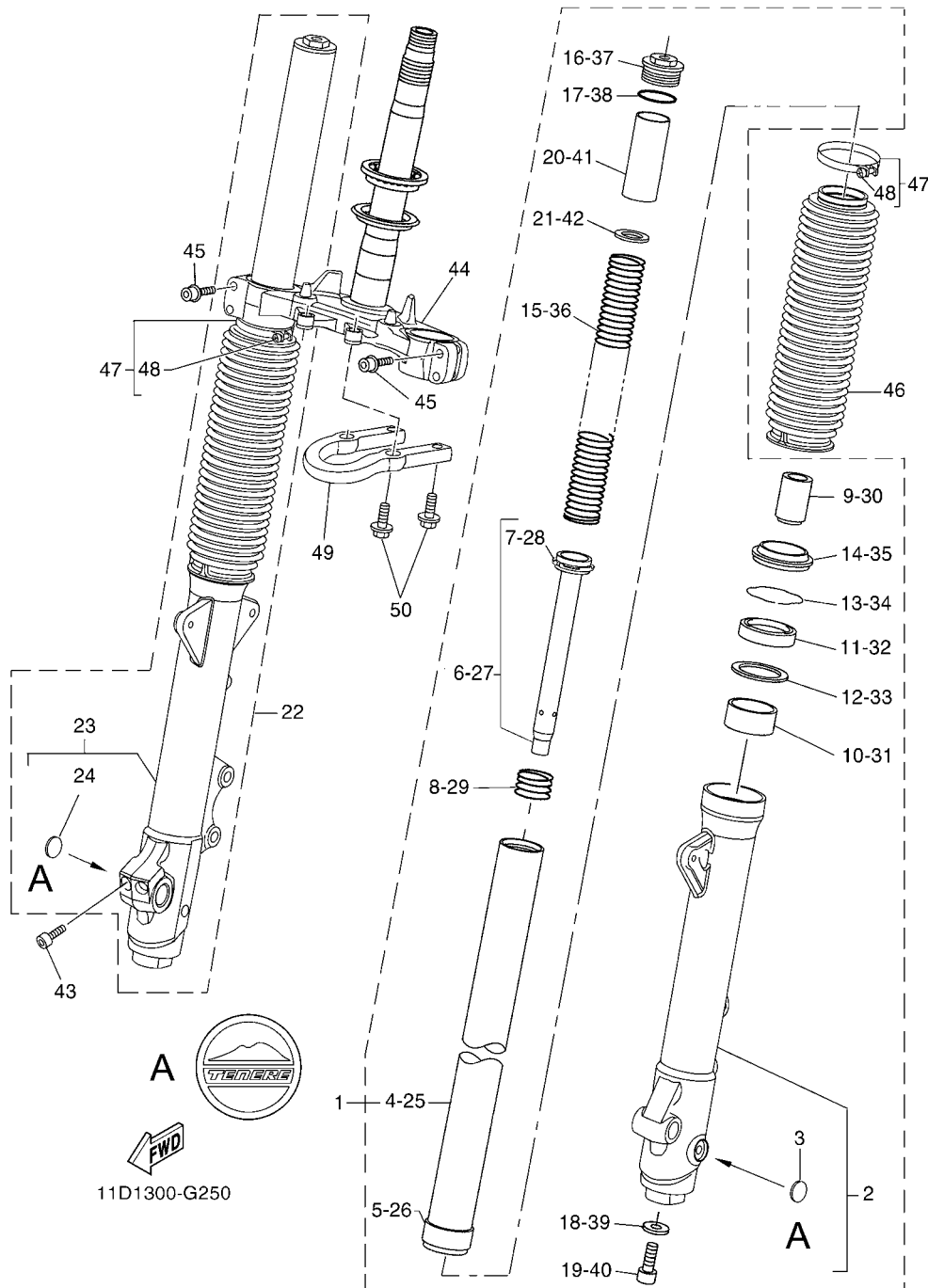
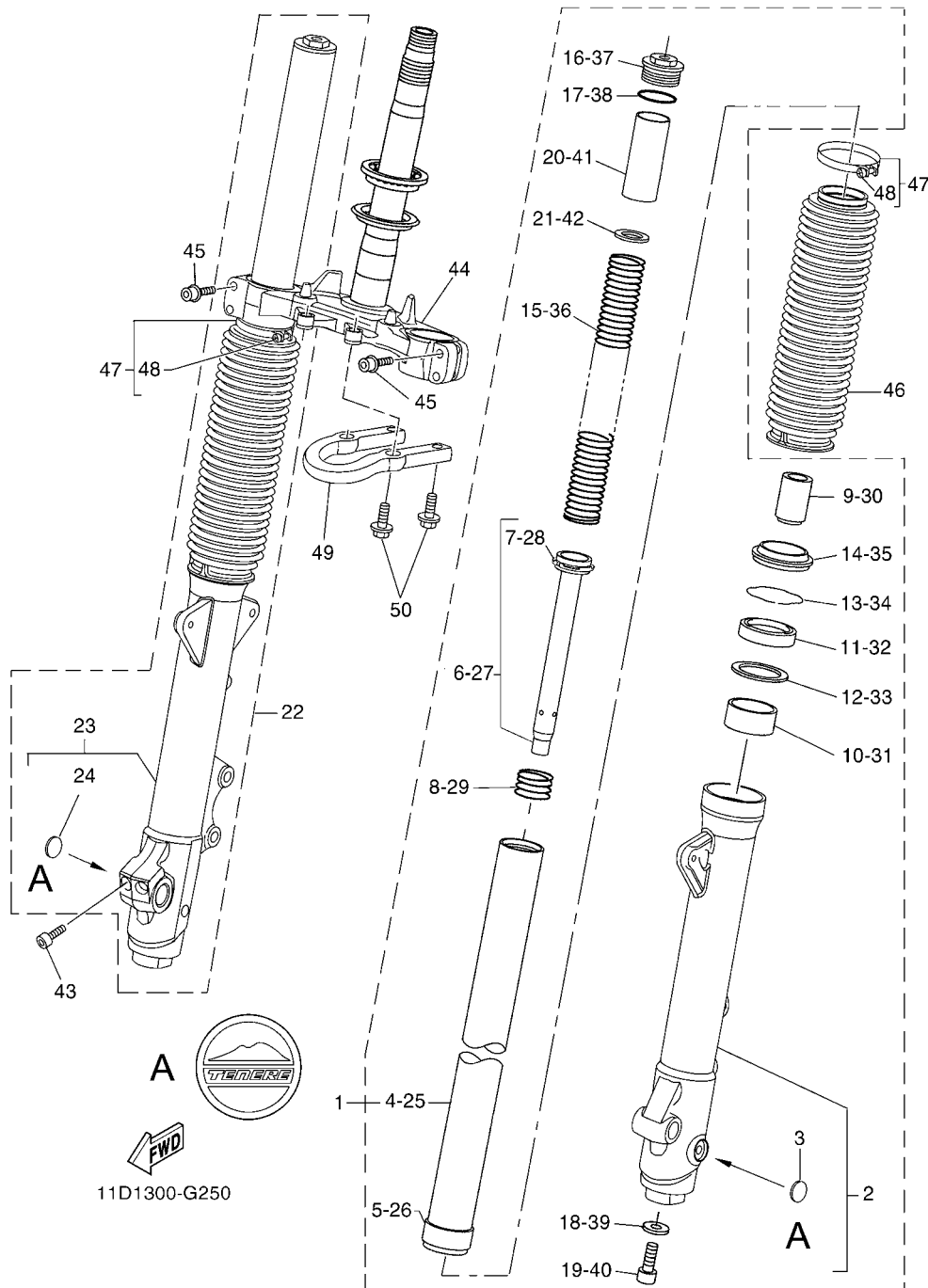


FIG. 25 FRONT FORK

REF. NO.	PART NO.	DESCRIPTION	010	020	030	REMARKS
1	11D-F3102-00	FRONT FORK ASSY (L.H)	1	1	1	
2	11D-F3126-00	.TUBE, OUTER (LEFT)	1	1	1	
3	11D-F3108-00	..EMBLEM	1	1	1	
4	11D-F3110-00	.INNER TUBE COMP.1	1	1	1	
5	3XJ-23171-L0	.PISTON, FRONT FORK	1	1	1	
6	11D-F3170-00	.CYLINDER COMP., FRONT FORK	1	1	1	
7	5VK-F3157-00	..RING, PISTON	1	1	1	
8	5VK-F3151-00	.SPRING, REBOUND	1	1	1	
9	5VK-F3173-00	.SPINDLE, TAPER	1	1	1	(PAIOLI)
10	3XJ-23125-L0	.METAL, SLIDE 1	1	1	1	
11	4DA-23145-L0	.OIL SEAL	1	1	1	
12	5VK-F3146-00	.WASHER, OIL SEAL	1	1	1	(PAIOLI)
13	5VK-F3153-00	.RING, SNAP	1	1	1	(PAIOLI)
14	4DA-23144-L0	.SEAL, DUST	1	1	1	
15	11D-F3141-00	.SPRING, FRONT FORK	1	1	1	
16	11D-F3111-00	.BOLT, CAP	1	1	1	
17	4V4-23188-L0	.O-RING	1	1	1	
18	5JH-F3158-00	.GASKET	1	1	1	(PAIOLI)
19	5VK-F3181-00	.BOLT, HEXAGON SOCKET HEAD	1	1	1	(PAIOLI)
20	11D-F3118-00	.SPACER	1	1	1	
21	5VK-F3149-00	.WASHER, SPRING UPPER	1	1	1	(PAIOLI)
22	11D-F3103-00	FRONT FORK ASSY (R.H)	1	1	1	
23	11D-F3136-00	.TUBE, OUTER (RIGHT)	1	1	1	
24	11D-F3108-00	..EMBLEM	1	1	1	
25	11D-F3110-00	.INNER TUBE COMP.1	1	1	1	
26	3XJ-23171-L0	.PISTON, FRONT FORK	1	1	1	
27	11D-F3170-00	.CYLINDER COMP., FRONT FORK	1	1	1	



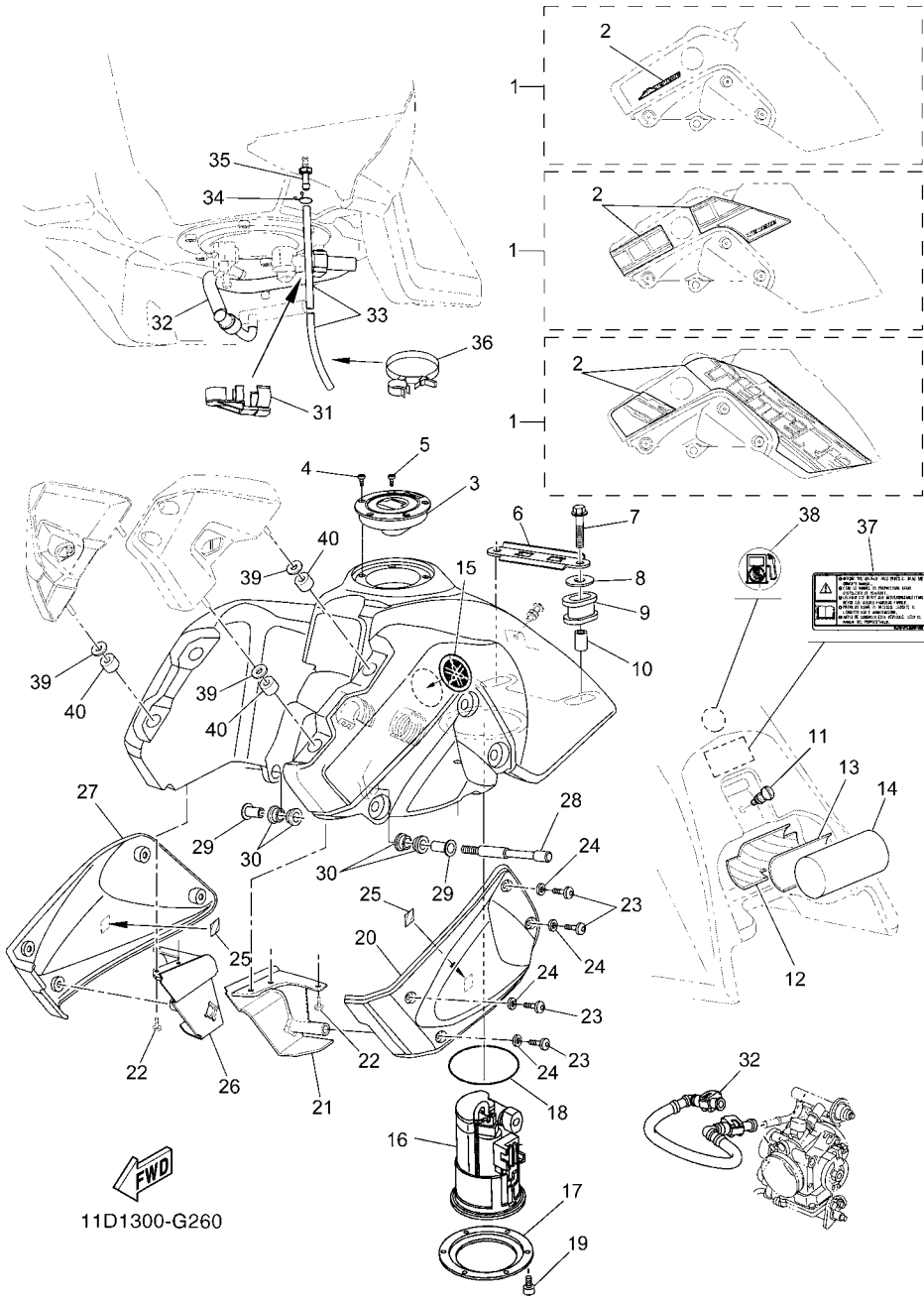


**FIG. 25 FRONT FORK**

REF. NO.	PART NO.	DESCRIPTION	010	020	030	REMARKS
28	5VK-F3157-00	.RING, PISTON	1	1	1	
29	5VK-F3151-00	.SPRING, REBOUND	1	1	1	
30	5VK-F3173-00	.SPINDLE, TAPER	1	1	1	(PAIOLI)
31	3XJ-23125-L0	.METAL, SLIDE 1	1	1	1	
32	4DA-23145-L0	.OIL SEAL	1	1	1	
33	5VK-F3146-00	.WASHER, OIL SEAL	1	1	1	(PAIOLI)
34	5VK-F3153-00	.RING, SNAP	1	1	1	(PAIOLI)
35	4DA-23144-L0	.SEAL, DUST	1	1	1	
36	11D-F3141-00	.SPRING, FRONT FORK	1	1	1	
37	11D-F3111-00	.BOLT, CAP	1	1	1	
38	4V4-23188-L0	.O-RING	1	1	1	
39	5JH-F3158-00	.GASKET	1	1	1	(PAIOLI)
40	5VK-F3181-00	.BOLT, HEXAGON SOCKET HEAD	1	1	1	(PAIOLI)
41	11D-F3118-00	.SPACER	1	1	1	
42	5VK-F3149-00	.WASHER, SPRING UPPER	1	1	1	(PAIOLI)
43	5VK-F3128-00	.BOLT, AXLE HOLDER	2	2	2	
44	5VK-F3340-00	UNDER BRACKET COMP.	1	1	1	
45	5SE-F3394-00	BOLT, SPECIAL	4	4	4	(PAIOLI)
46	11D-F3191-00	BOOT	2	2	2	
47	11D-F3192-00	BAND	2	2	2	
48	98580-04016	.SCREW, PANHEAD (+)	1	1	1	
49	11D-F1165-00	HANDLE, STANDING	1	1	1	
50	95812-06030	BOLT, FLANGE	4	4	4	

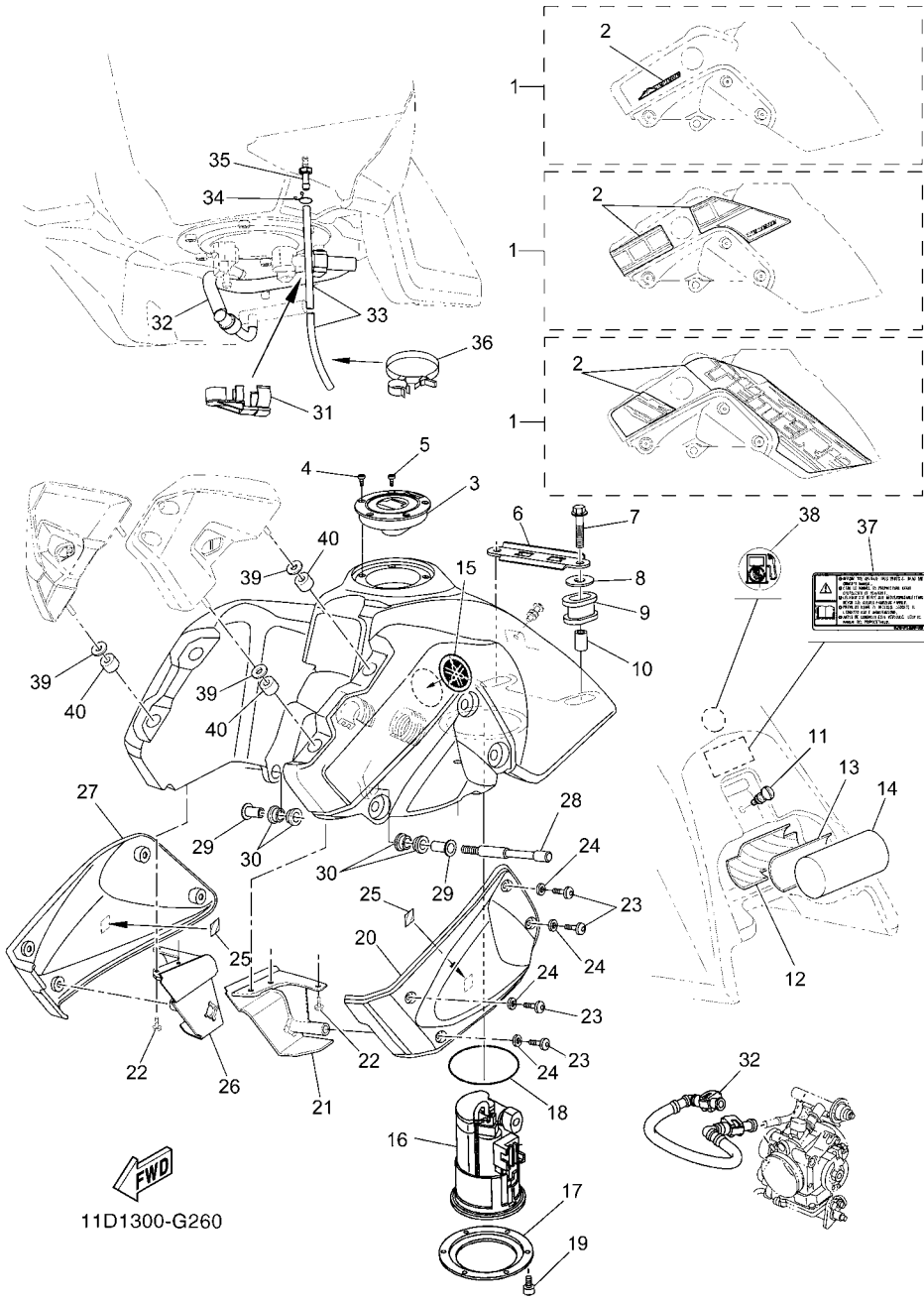
**FIG. 26 FUEL TANK**

REF. NO.	PART NO.	DESCRIPTION	010	020	030	REMARKS
1	11D-XF411-00-P0	FUEL TANK COMP.	1	1	1	FOR SMX
	11D-XF411-00-P1	FUEL TANK COMP.	1	1	1	FOR BWC1
	11D-XF411-00-P2	FUEL TANK COMP.	1	1	1	FOR YNS5
2	11D-F4230-00	.GRAPHIC SET 1	1	1	1	FOR SMX
	11D-F4240-00	.GRAPHIC SET	1	1	1	FOR BWC1
	11D-F4250-00	.GRAPHIC SET 2	1	1	1	FOR YNS5
3	11D-24602-00	CAP ASSY	1	1	1	
4	90110-05112	BOLT, HEXAGON SOCKET HEAD	3	3	3	
5	91317-05010	BOLT	1	1	1	
6	11D-F4192-00	BRACKET, FUEL TANK 2	1	1	1	
7	95817-08040	BOLT, FLANGE	2	2	2	
8	90201-08M03	WASHER, PLATE	2	2	2	
9	11D-F4182-00	DAMPER, LOCATING 2	2	2	2	
10	90387-087L3	COLLAR	2	2	2	
11	11D-F4717-00	BOLT, SEAT FITTING	1	1	1	
12	11D-F4141-00	PROTECTOR, FUEL TANK	1	1	1	
13	11D-F8170-00	HOLDER, TOOL	1	1	1	
14	11D-F8100-00	TOOL KIT	1	1	1	
15	11D-F413B-00	EMBLEM	2	2	2	
16	11D-13907-01	FUEL PUMP COMP.	1	1	1	
17	5YK-F4491-00	BRACKET, FUEL PUMP	1	1	1	
18	5JW-24486-00	O-RING	1	1	1	
19	91317-06012	BOLT	6	6	6	
20	11D-F137W-00	SCOOP, AIR 1	1	1	1	
21	11D-F4115-00	STAY, FUEL TANK 1	1	1	1	
22	95027-06014	BOLT, FLANGE	6	6	6	
23	90111-06X19	BOLT,HEX. SOCKET BUTTON	8	8	8	



**FIG. 26 FUEL TANK**

REF. NO.	PART NO.	DESCRIPTION	010	020	030	REMARKS
24	90201-06X28	WASHER, PLATE	8	8	8	
25	11D-F836U-00	DAMPER, LOCATING 2	2	2	2	
26	11D-F4116-00	STAY, FUEL TANK 2	1	1	1	
27	11D-F137X-00	SCOOP, AIR 2	1	1	1	
28	11D-F4243-00	ROD 1	2	2	2	
29	11D-F412G-00	COLLAR	2	2	2	
30	11D-F4181-00	DAMPER, LOCATING 1	4	4	4	
31	90464-16005	CLAMP	1	1	1	
32	5YK-13971-00	PIPE, FUEL 1	1	1	1	
33	11D-F4318-00	PIPE, OVERFLOW	1	1	1	
34	90467-09006	CLIP	1	1	1	
35	5YK-F4478-00	JOINT	1	1	1	
36	90464-09X00	CLAMP	2	2	2	
37	11D-F1568-00	LABEL, WARNING	1	1	1	
38	4SU-F415E-00	LABEL, CAUTION	1	1	1	
39	90202-08X01	WASHER, PLATE	4	4	4	
40	11D-F8187-00	GROMMET	4	4	4	



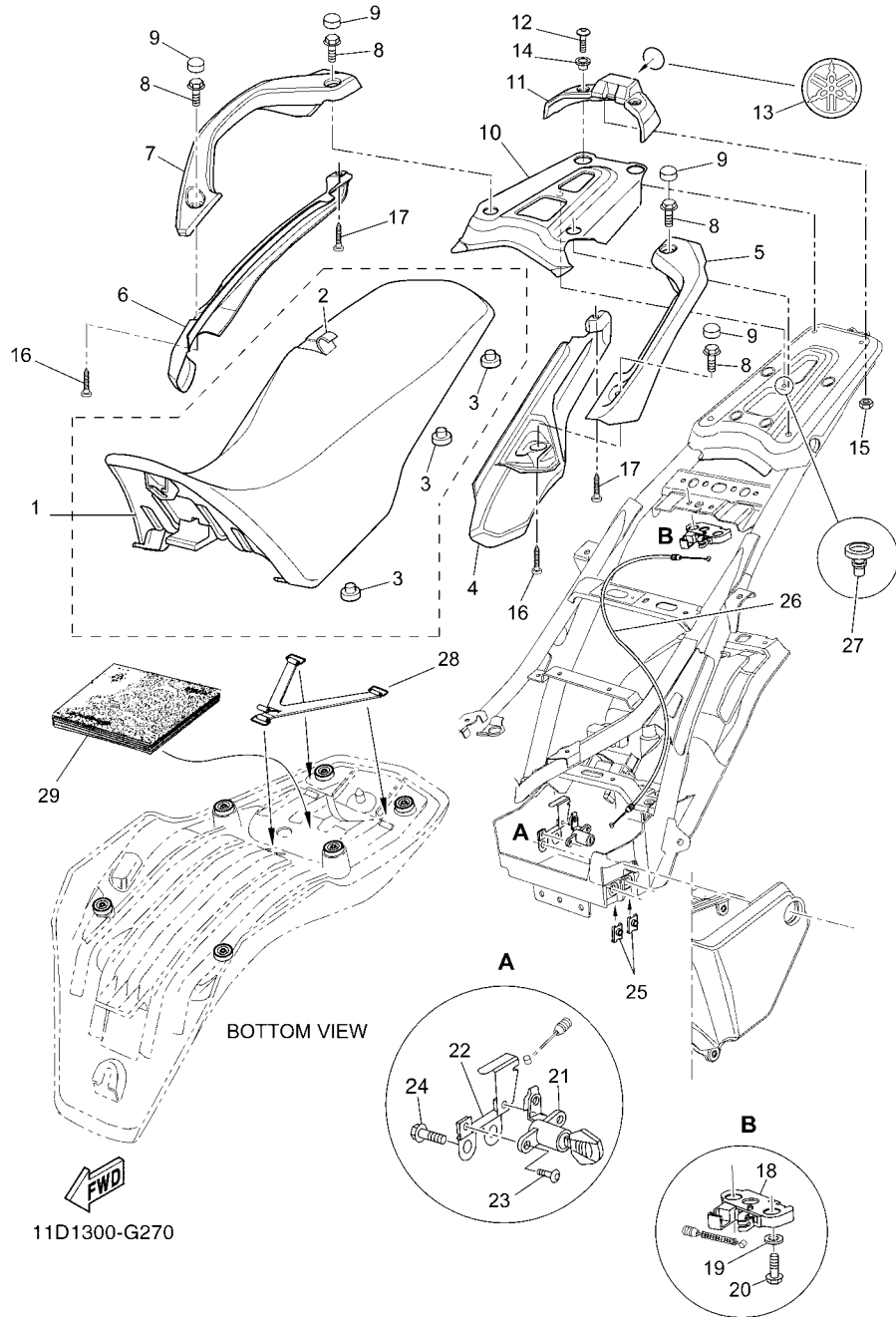
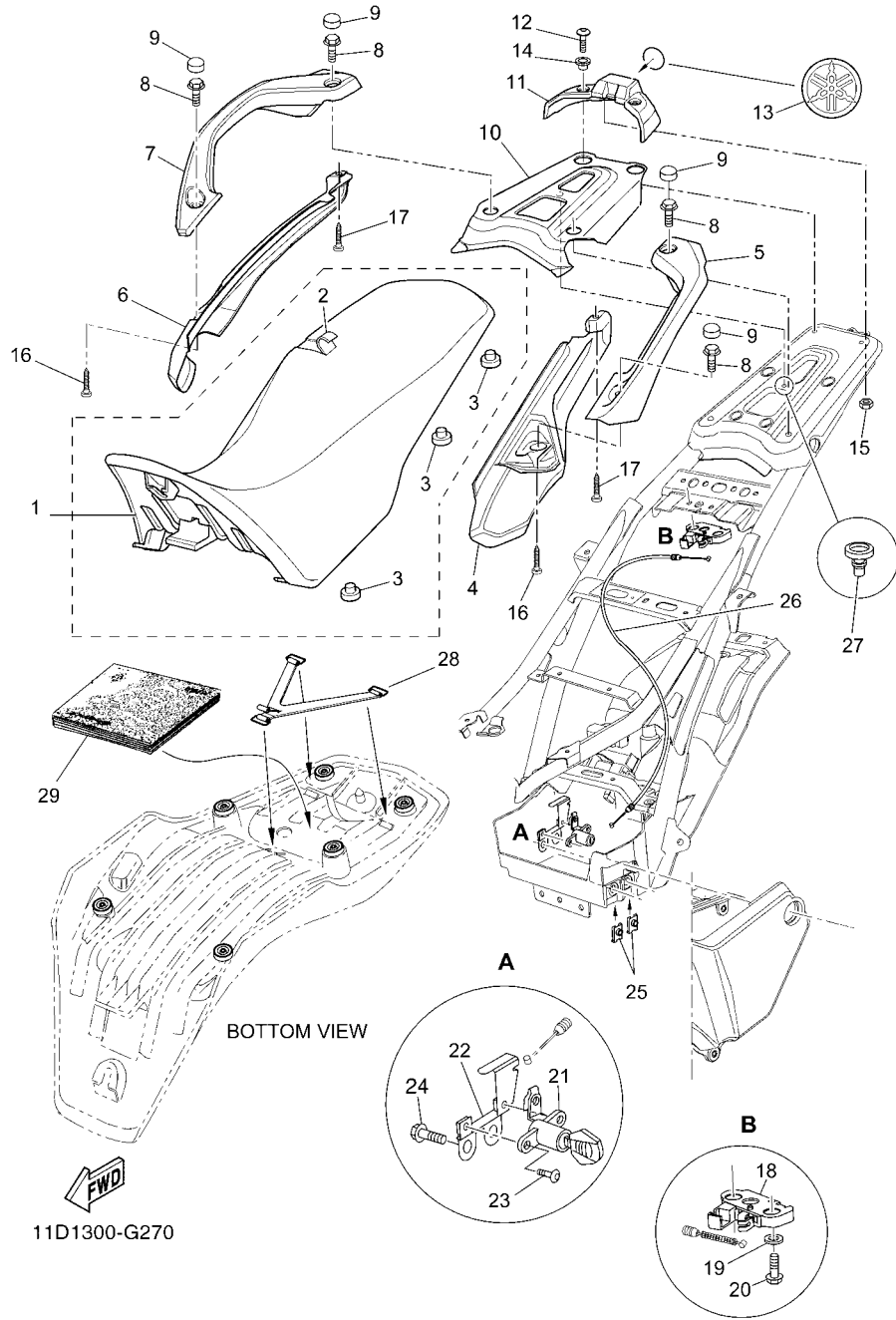


FIG. 27 SEAT

REF. NO.	PART NO.	DESCRIPTION	010	020	030	REMARKS
1	11D-F4770-00	SEMI-DOUBLE SEAT ASSY	1	1	1	
2	11D-F4731-00	.COVER, SEAT	1	1	1	
3	5YK-F4741-00	.PAD, SEAT	6	6	6	
4	11D-F4845-00	COVER 1	1	1	1	
5	11D-F474A-00	ASSIST, GRIP	1	1	1	
6	11D-F4846-00	COVER 2	1	1	1	
7	11D-F474W-00	ASSIST,GRIP 2	1	1	1	
8	95817-08030	BOLT, FLANGE	4	4	4	
9	11D-F4481-00	PLUG	4	4	4	
10	11D-F4844-00	COVER 3	1	1	1	
11	11D-F471K-00	COVER, TAIL 1	1	1	1	
12	90111-06X19	BOLT,HEX. SOCKET BUTTON	2	2	2	
13	11D-F176B-00	TUNING FORK MARK	1	1	1	
14	90387-06X01	COLLAR	2	2	2	
15	95602-06200	NUT, SELF-LOCKING	2	2	2	
16	97707-40010	SCREW, TAPPING	2	2	2	
17	97707-40014	SCREW, TAPPING	2	2	2	
18	5AD-F4780-00	SEAT LOCK ASSY	1	1	1	
19	90201-06X04	WASHER, PLATE	2	2	2	
20	92017-06020	BOLT, BUTTON HEAD	2	2	2	
21	2TV-W2470-00	ROTOR SET	1	1	1	
22	11D-F175H-00	STAY, LOCK	1	1	1	
23	92017-06014	BOLT, BUTTON HEAD	2	2	2	
24	90105-05016	BOLT, FLANGE	2	2	2	
25	90183-05812	NUT, SPRING	2	2	2	
26	11D-F478E-00	CABLE, SEAT LOCK	1	1	1	
27	11D-F483H-00	BAND	1	1	1	



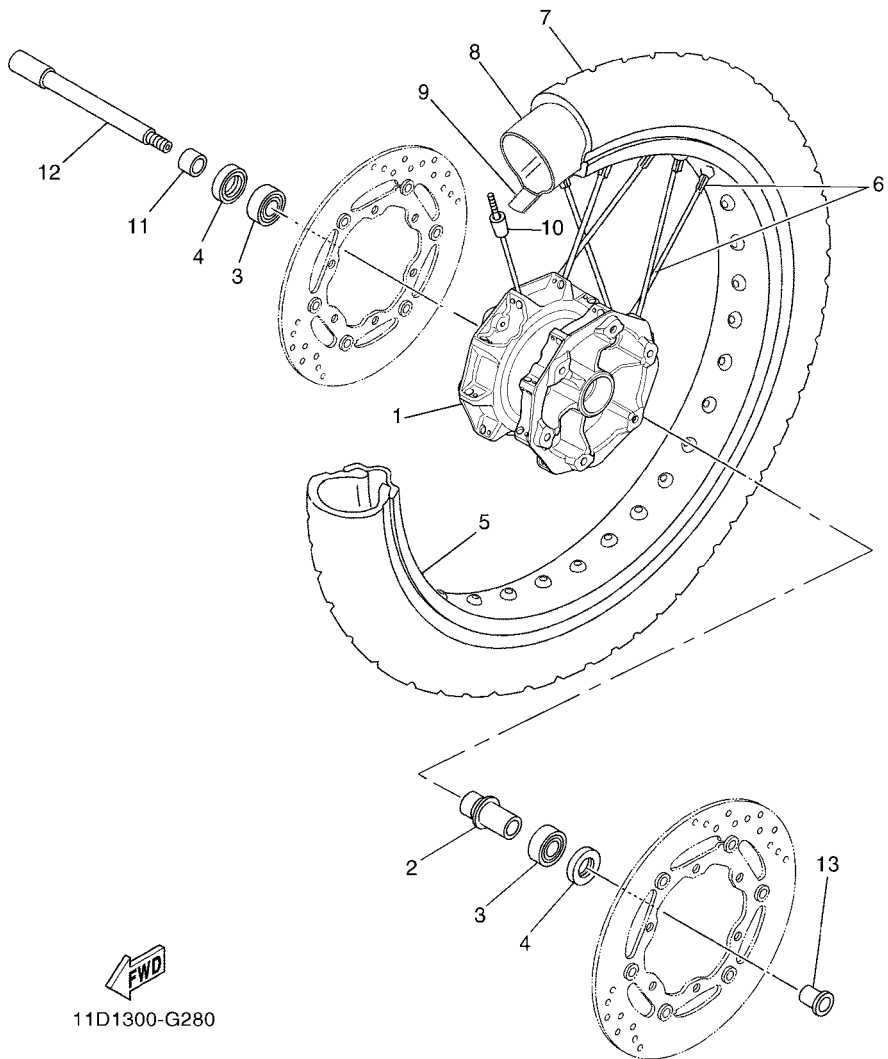
11D1300-G270

FIG. 27 SEAT

REF. NO.	PART NO.	DESCRIPTION	010	020	030	REMARKS
28	90338-05008	PLUG	1	1	1	
29	11D-F8199-E0	MANUAL,OWNER'S	1	1	1	UR ENGLISH
	11D-F8199-F0	MANUAL,OWNER'S	1	1	1	UR FRENCH
	11D-F8199-G0	MANUAL,OWNER'S	1	1	1	UR GERMAN
	11D-F8199-H0	MANUAL,OWNER'S	1	1	1	UR ITALIAN
	11D-F8199-S0	MANUAL,OWNER'S	1	1	1	UR SPANISH
	11D-F8199-D0	MANUAL,OWNER'S		1		UR DUTCH
	11D-F8199-P0	MANUAL,OWNER'S			1	UR PORTUGUESE

FIG. 28 FRONT WHEEL

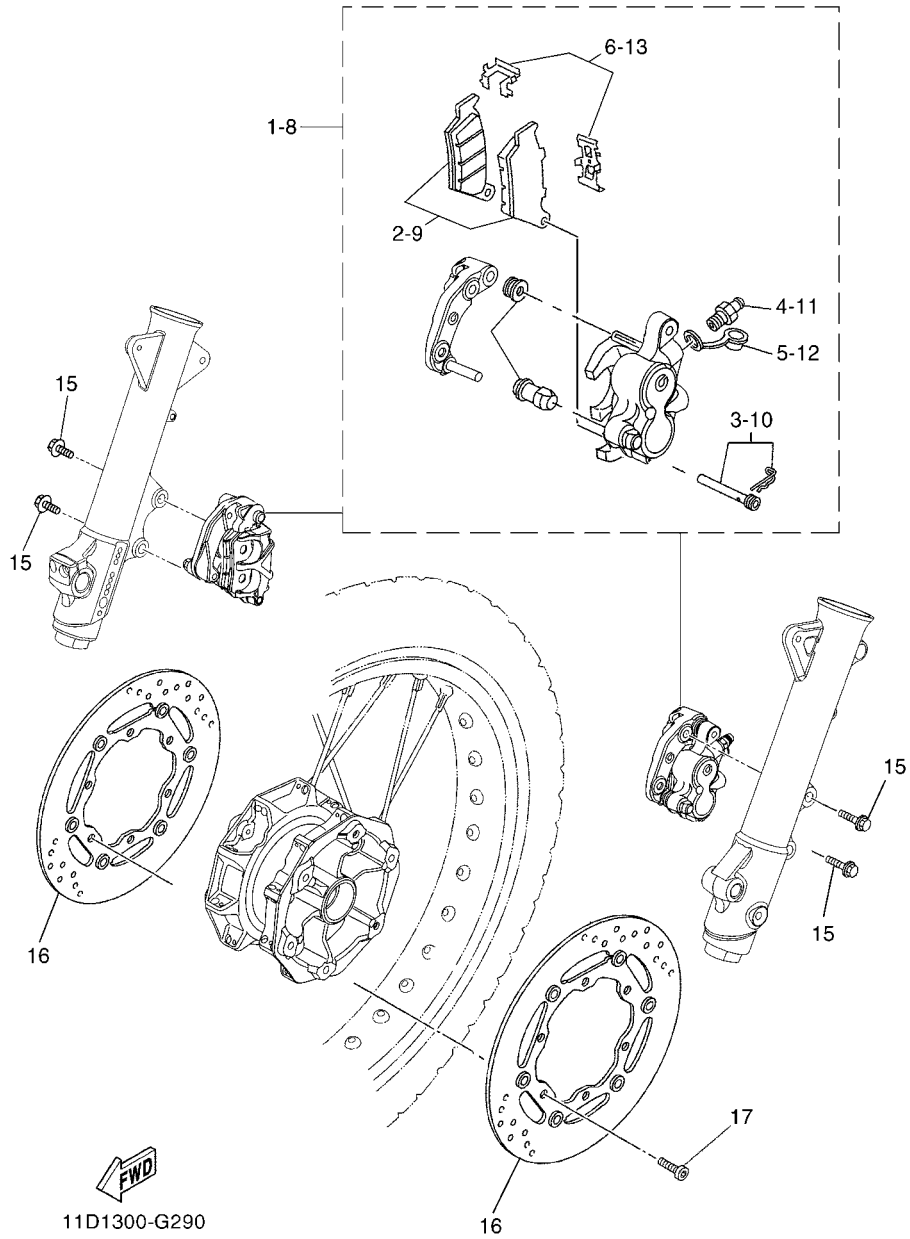
REF. NO.	PART NO.	DESCRIPTION	010	020	030	REMARKS
1	11D-F5111-00	HUB, FRONT	1	1	1	
2	11D-F5117-00	SPACER, BEARING	1	1	1	
3	93306-203XN	BEARING	2	2	2	
4	93106-23002	OIL SEAL	2	2	2	
5	94418-21X00	RIM (1.85-21)	1	1	1	
6	11D-F5104-00	SPOKE SET, FRONT	1	1	1	
7	94109-21800	TIRE (90/90-21M/C 54S)	1	1	1	UR METZELER TOURA
	94109-21801	TIRE (90/90-21M/C 54T)	1	1	1	UR MICHELIN SIRAC
8	*	TUBE ( 21 )	1	1	1	LM UR
	*	TUBE	1	1	1	LM UR
9	*	BAND, RIM (1.60-21)	1	1	1	LM UR. MICHELIN
	*	BAND, RIM	1	1	1	LM UR
10	3HT-25398-00	BALANCER, WHEEL (15G)	1	1	1	
11	5VK-F5183-00	COLLAR, WHEEL	1	1	1	
12	5VK-25181-00	AXLE, WHEEL	1	1	1	
13	5VK-F5186-00	COLLAR, WHEEL	1	1	1	



  
11D1300-G280

**FIG. 29 FRONT BRAKE**

REF. NO.	PART NO.	DESCRIPTION	010	020	030	REMARKS
1	11D-F580T-00	CALIPER ASSY (LEFT)	1	1	1	
2	11D-F5811-00	.PAD, CALIPER 2	1	1	1	
3	5D7-F5924-00	.PIN, PAD	1	1	1	
4	5D7-F5824-10	.SCREW, BLEED	1	1	1	(BREMBO)
5	5DS-F5825-00	.CAP	1	1	1	(BREMBO)
6	5DS-F5919-00	.SUPPORT, PAD	1	1	1	(BREMBO)
7	5DS-F5917-00	.BOOT, CALIPER	1	1	1	(BREMBO)
8	11D-F580U-00	CALIPER ASSY (RIGHT)	1	1	1	
9	11D-F5811-00	.PAD, CALIPER 2	1	1	1	
10	5D7-F5924-00	.PIN, PAD	1	1	1	
11	5D7-F5824-10	.SCREW, BLEED	1	1	1	(BREMBO)
12	5DS-F5825-00	.CAP	1	1	1	(BREMBO)
13	5DS-F5919-00	.SUPPORT, PAD	1	1	1	(BREMBO)
14	5DS-F5917-00	.BOOT, CALIPER	1	1	1	(BREMBO)
15	90105-10638	BOLT, FLANGE	4	4	4	
16	5VK-F581T-00	DISK BRAKE ASSY	2	2	2	
17	90109-064G6	BOLT	12	12	12	



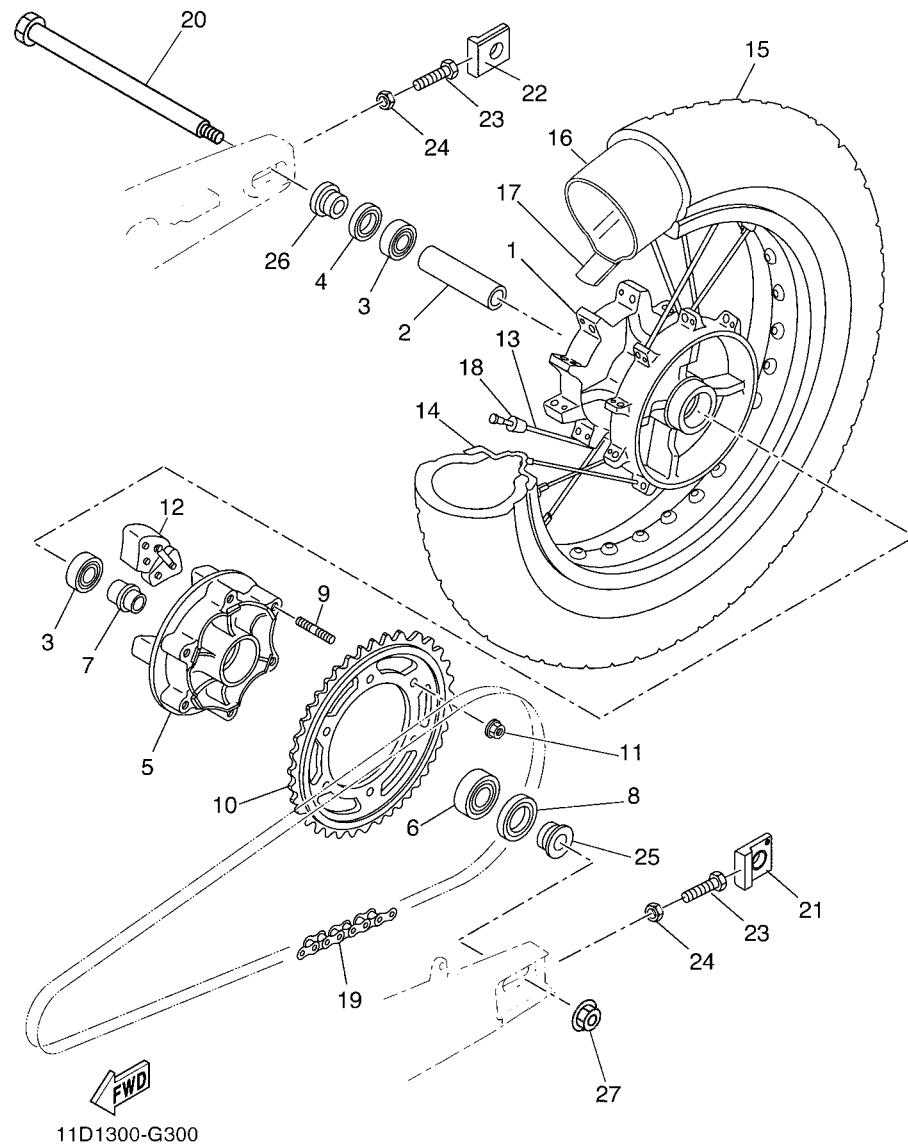


FIG. 30 REAR WHEEL

REF. NO.	PART NO.	DESCRIPTION	010	020	030	REMARKS
1	5VK-25311-00	HUB, REAR	1	1	1	
2	90560-17306	SPACER	1	1	1	
3	93306-20348	BEARING	2	2	2	
4	93106-23002	OIL SEAL	1	1	1	
5	5VK-25366-00	CLUTCH, HUB	1	1	1	
6	93306-30437	BEARING	1	1	1	
7	1VJ-25377-00	COLLAR, WHEEL	1	1	1	
8	93106-30029	OIL SEAL	1	1	1	
9	90116-10485	BOLT, STUD	6	6	6	
10	5VK-25445-01	SPROCKET, DRIVEN (45T)	1	1	1	
11	95607-10200	NUT, U FLANGE	6	6	6	
12	5Y1-25364-00	DAMPER	4	4	4	
13	5VK-F5304-00	SPOKE SET, REAR	1	1	1	
14	94427-17X00	RIM	1	1	1	
15	94113-17800	TIRE (130/80-17 M/C 65S)	1	1	1	UR METZELER TOURA
	94113-17801	TIRE (130/80-17 M/C 65T)	1	1	1	UR MICHELIN SIRAC
16	*	TUBE ( 21 )	1	1	1	LM UR
	*	TUBE	1	1	1	LM UR
17	*	BAND, RIM (21)	1	1	1	LM UR
	*	BAND, RIM (2.15-18)	1	1	1	LM UR MICHELIN
18	3HT-25398-00	BALANCER, WHEEL (15G)	1	1	1	
19	9456X-08110	CHAIN	1	1	1	
20	10S-25381-00	AXLE, WHEEL	1	1	1	
21	10S-F5388-00	PULLER, CHAIN 1	1	1	1	
22	10S-F5389-00	PULLER, CHAIN 2	1	1	1	
23	90101-08777	BOLT	2	2	2	
24	95707-08500	NUT, FLANGE	2	2	2	



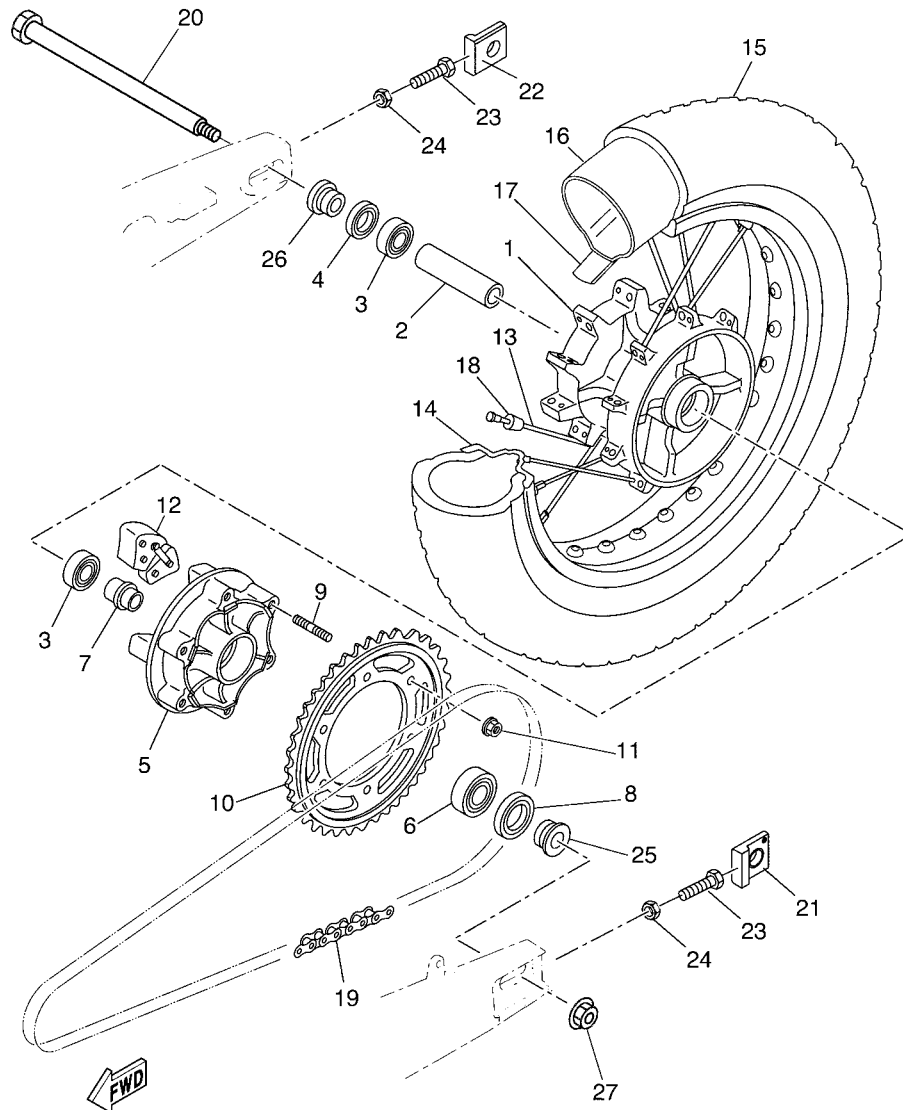
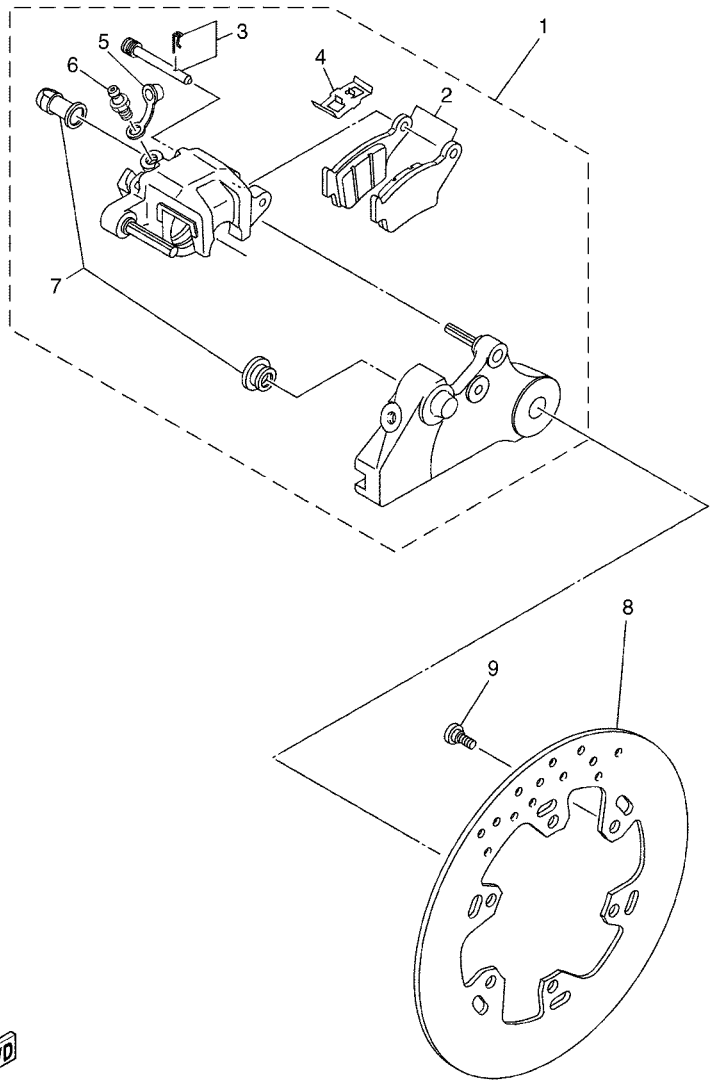


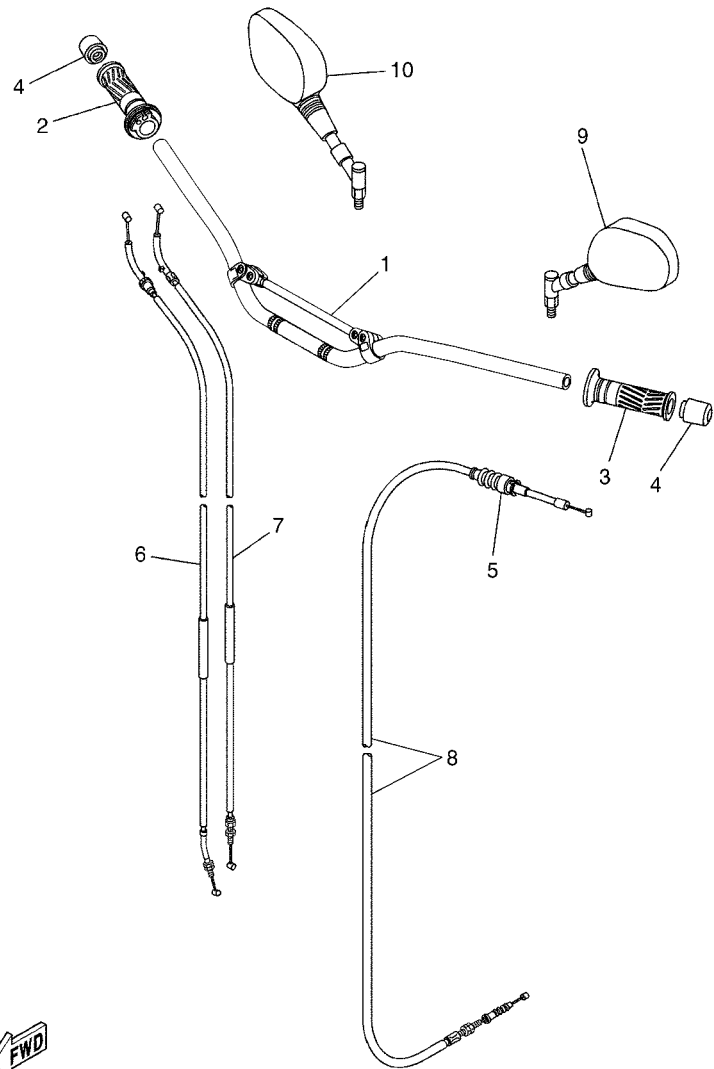
FIG. 30 REAR WHEEL

REF. NO.	PART NO.	DESCRIPTION	010	020	030	REMARKS
25	90387-17801	COLLAR	1	1	1	
26	90387-17802	COLLAR	1	1	1	
27	95604-16200	NUT, U FLANGE	1	1	1	



**FIG. 31 REAR BRAKE**

REF. NO.	PART NO.	DESCRIPTION	010	020	030	REMARKS
1	5VK-F580W-00	CALIPER ASSY, REAR 2	1	1	1	(BREMBO)
2	5VK-W0046-00	.BRAKE PAD KIT 2	1	1	1	(BREMBO)
3	5VK-F5924-10	.PIN, PAD	1	1	1	(BREMBO)
4	5VK-F5919-10	.SUPPORT, PAD	1	1	1	(BREMBO)
5	5DS-F5825-00	.CAP	1	1	1	(BREMBO)
6	5SE-F5824-00	.SCREW, BLEED	1	1	1	(BREMBO)
7	5DS-F5917-00	.BOOT, CALIPER	1	1	1	(BREMBO)
8	5VK-F582W-00	DISK, REAR BRAKE 2	1	1	1	
9	90109-065F3	BOLT	6	6	6	



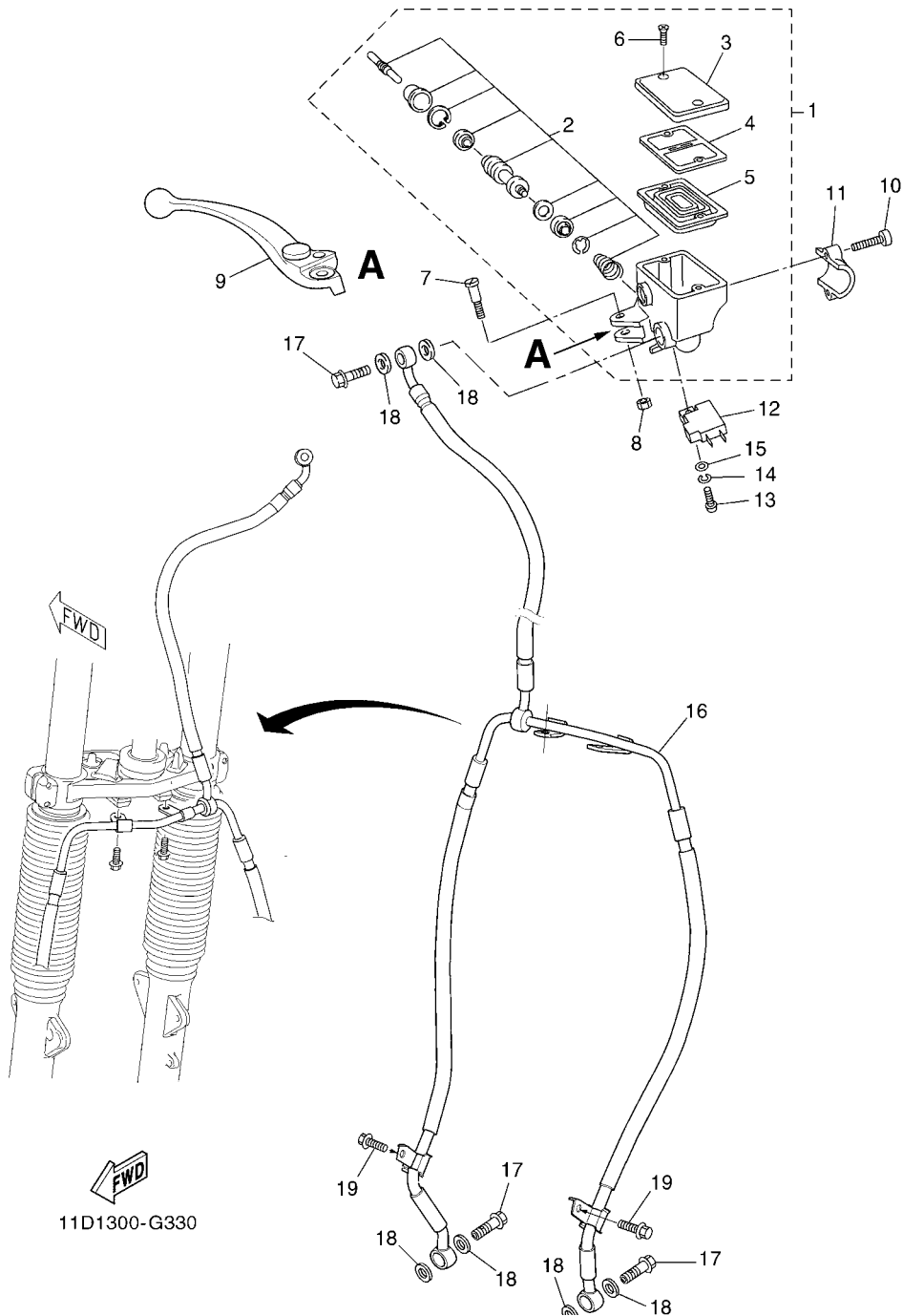
11D1300-G320

FIG. 32 STEERING HANDLE & CABLE

REF. NO.	PART NO.	DESCRIPTION	010	020	030	REMARKS
1	11D-F6111-00	HANDLEBAR	1	1	1	
2	4YR-26240-02	GRIP ASSY	1	1	1	
3	4YR-26241-02	GRIP (LEFT)	1	1	1	
4	11D-F6246-00	END, GRIP	2	2	2	
5	5VK-F6311-00	CABLE, THROTTLE 1	1	1	1	
6	5VK-F6312-00	CABLE, THROTTLE 2	1	1	1	
7	1E6-26342-00	BOOT, CABLE	1	1	1	
8	5VK-F6335-00	CABLE, CLUTCH	1	1	1	
9	5VK-F6280-00	REAR VIEW MIRROR ASSY (LEFT)	1	1	1	
10	5VK-F6290-00	REAR VIEW MIRROR ASSY (RIGHT)	1	1	1	

**FIG. 33 FRONT MASTER CYLINDER**

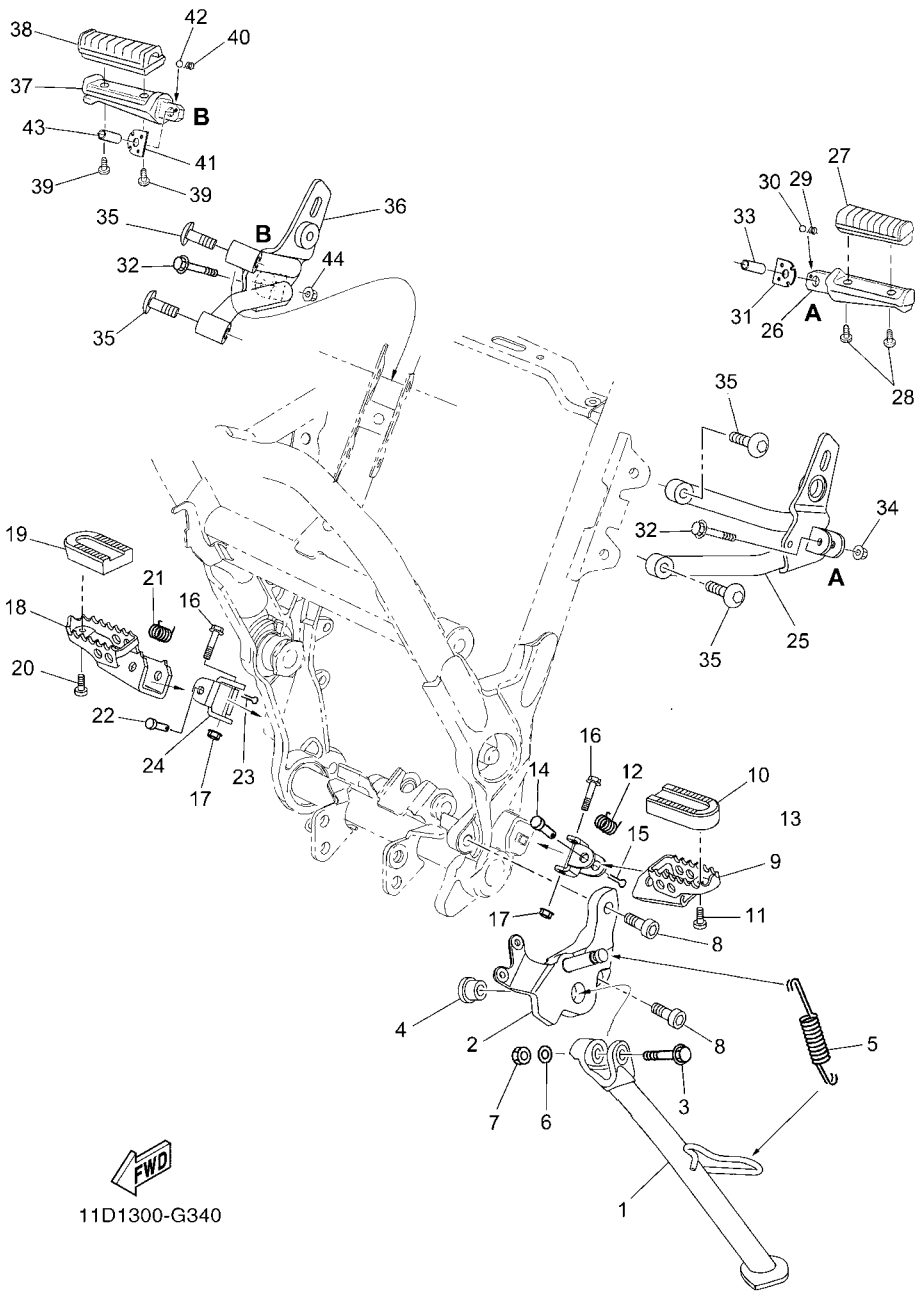
REF. NO.	PART NO.	DESCRIPTION				REMARKS
			010	020	030	
1	5PS-W2587-00	MASTER CYLINDER SUB ASSY	1	1	1	
2	5VS-W0041-00	.CYLINDER KIT, MASTER	1	1	1	
3	5VS-25852-00	.CAP, RESERVOIR	1	1	1	
4	5VS-25855-00	.BUSH, DIAPHRAGM	1	1	1	
5	20S-25854-00	.GASKET, DIAPHRAGM	1	1	1	
6	5VS-2589H-00	.SCREW	2	2	2	
7	5VS-2589F-00	BOLT, LEVER	1	1	1	
8	95617-06100	NUT, U	1	1	1	
9	5VS-83922-00	LEVER 2	1	1	1	
10	5VS-26332-00	BOLT	2	2	2	
11	5VS-25867-00	BRACKET, MASTER CYLINDER	1	1	1	
12	4HM-83980-00	FRONT STOP SWITCH ASSY	1	1	1	
13	98502-04012	SCREW, PAN HEAD	1	1	1	
14	92902-04100	WASHER, SPRING	1	1	1	
15	92902-04600	WASHER, PLATE	1	1	1	
16	11D-F5872-00	HOSE, BRAKE 1	1	1	1	
17	90401-10X03	BOLT, UNION	3	3	3	
18	90201-10X07	WASHER, PLATE	6	6	6	
19	95024-06012	BOLT, FLANGE	2	2	2	



11D1300-G330

**FIG. 34 STAND & FOOTREST**

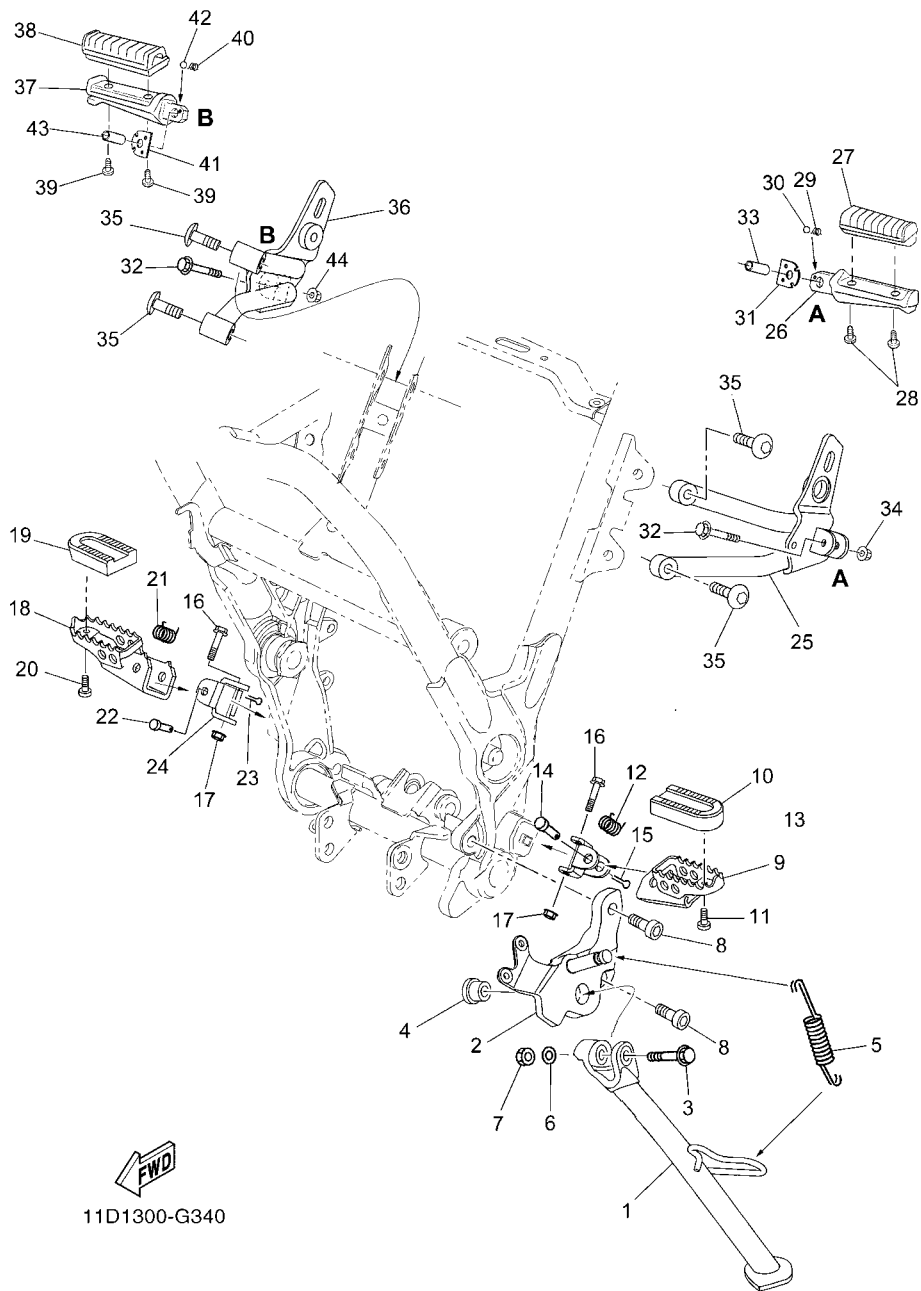
REF. NO.	PART NO.	DESCRIPTION	010	020	030	REMARKS
1	11D-F7311-00	STAND, SIDE	1	1	1	
2	11D-F7321-00	BRACKET, SIDE STAND	1	1	1	
3	90105-10X16	BOLT, FLANGE	1	1	1	
4	11D-F7313-00	COLLAR	1	1	1	
5	90506-25X01	SPRING, TENSION	1	1	1	
6	90201-10X21	WASHER, PLATE	1	1	1	
7	9561M-10100	NUT, U	1	1	1	
8	90110-10191	BOLT, HEXAGON SOCKET HEAD	2	2	2	
9	3LD-27411-01	FOOTREST 1	1	1	1	
10	3LD-27413-00	COVER, FOOTREST	1	1	1	
11	91317-06010	BOLT	1	1	1	
12	90508-28777	SPRING, TORSION	1	1	1	
13	11D-F7452-00	BRACKET, FOOTREST 1	1	1	1	
14	90240-10101	PIN, CLEVIS	1	1	1	
15	91401-25020	PIN, COTTER	1	1	1	
16	90105-08053	BOLT, FLANGE	2	2	2	
17	95607-08200	NUT, SELF-LOCKING	2	2	2	
18	3LD-27421-01	FOOTREST 2	1	1	1	
19	3LD-27413-00	COVER, FOOTREST	1	1	1	
20	91317-06010	BOLT	1	1	1	
21	90508-28777	SPRING, TORSION	1	1	1	
22	90240-10101	PIN, CLEVIS	1	1	1	
23	91401-25020	PIN, COTTER	1	1	1	
24	11D-F7452-00	BRACKET, FOOTREST 1	1	1	1	
25	11D-F741L-00	BRACKET 4	1	1	1	
26	11D-F743A-00	BAR, REAR FOOTREST	1	1	1	
27	1B9-F7454-00	COVER, FOOTREST	1	1	1	



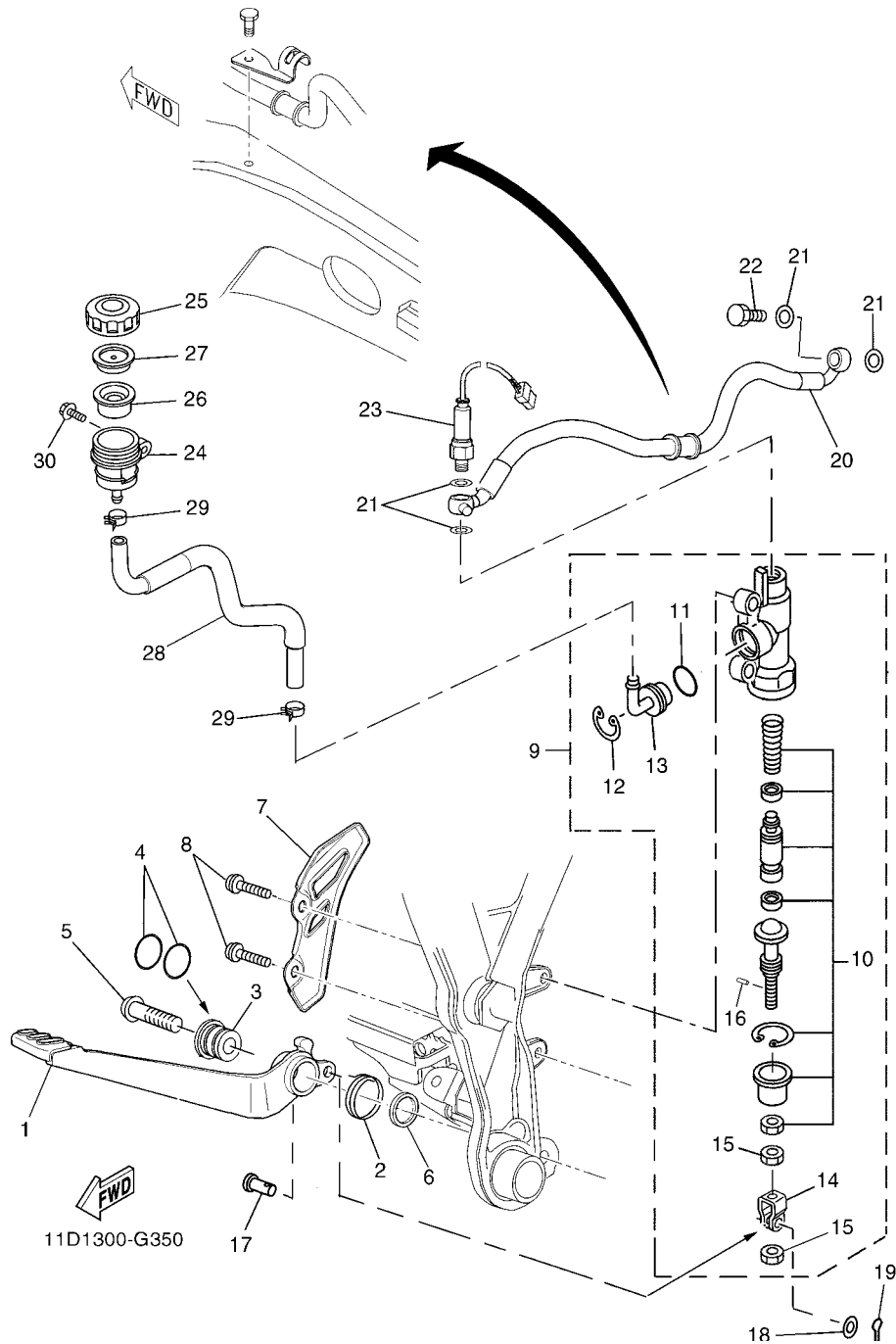
11D1300-G340

FIG. 34 STAND & FOOTREST

REF. NO.	PART NO.	DESCRIPTION	010	020	030	REMARKS
28	90157-05079	SCREW, PAN HEAD	2	2	2	
29	90501-15001	SPRING, COMPRESSION	1	1	1	
30	93501-04011	BALL	1	1	1	
31	5JJ-27437-01	WASHER, SPECIAL	1	1	1	
32	95817-06040	BOLT, FLANGE	2	2	2	
33	90387-06014	COLLAR	1	1	1	
34	95604-06200	NUT, U FLANGE	1	1	1	
35	90110-08221	BOLT, HEXAGON SOCKET HEAD	4	4	4	
36	11D-F742L-00	BRACKET 5	1	1	1	
37	11D-F743G-00	BAR, REAR FOOTREST 2	1	1	1	
38	1B9-F7454-00	COVER, FOOTREST	1	1	1	
39	90157-05079	SCREW, PAN HEAD	2	2	2	
40	90501-15001	SPRING, COMPRESSION	1	1	1	
41	5JJ-27437-01	WASHER, SPECIAL	1	1	1	
42	93501-04011	BALL	1	1	1	
43	90387-06014	COLLAR	1	1	1	
44	95604-06200	NUT, U FLANGE	1	1	1	

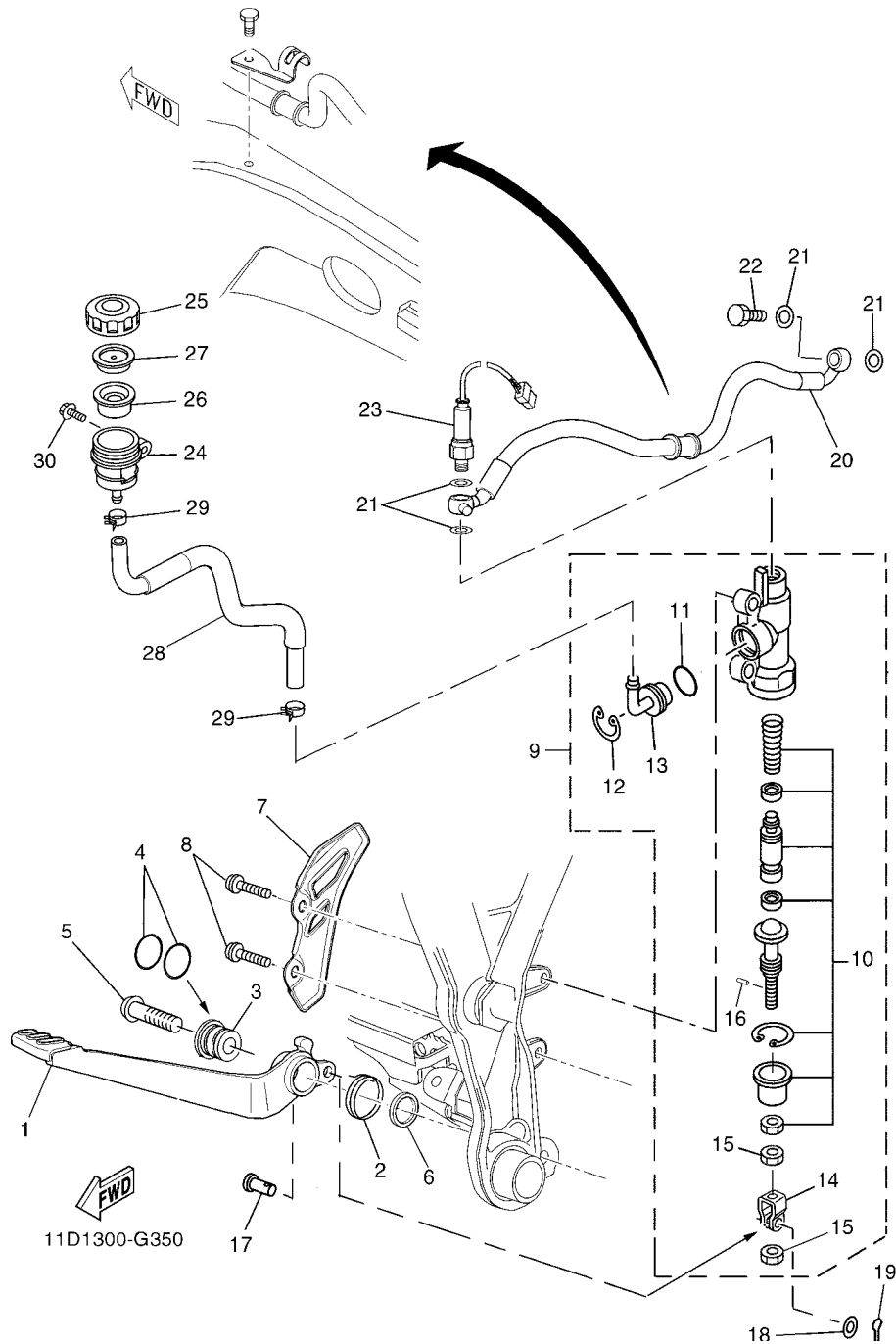


11D1300-G340



**FIG. 35 REAR MASTER CYLINDER**

REF. NO.	PART NO.	DESCRIPTION	010	020	030	REMARKS
1	11D-F7211-00	PEDAL, BRAKE	1	1	1	
2	11D-F7216-00	SPRING, RETURN	1	1	1	
3	5YK-F7213-00	COLLAR	1	1	1	
4	93210-15414	O-RING	2	2	2	
5	92017-10045	BOLT, BUTTON HEAD	1	1	1	
6	90201-100L3	WASHER, PLATE	1	1	1	
7	11D-F7446-00	PLATE 2	1	1	1	
8	92014-08025	BOLT, BUTTON HEAD	2	2	2	
9	5VK-2583V-00	RR. MASTER CYLINDER ASSY.	1	1	1	
10	3BN-W0042-50	.CYLINDER KIT, MASTER	1	1	1	
11	93210-15620	.O-RING	1	1	1	
12	2VN-25866-00	.CIRCLIP	1	1	1	
13	4ML-2582A-50	.JOINT	1	1	1	
14	2YK-27222-00	.JOINT	1	1	1	
15	4SS-27218-00	.NUT	2	2	2	
16	3KW-27234-00	.PIN, BRAKE ROD	1	1	1	
17	90240-08124	PIN, CLEVIS	1	1	1	
18	90201-08083	WASHER, PLATE	1	1	1	
19	91401-20012	PIN, COTTER	1	1	1	
20	11D-F5873-00	HOSE, BRAKE 2	1	1	1	
21	90201-10X07	WASHER, PLATE	4	4	4	
22	90401-10X03	BOLT, UNION	1	1	1	
23	11D-H2530-00	STOP SWITCH ASSY	1	1	1	
24	5JJ-25894-00	TANK, RESERVOIR	1	1	1	
25	3XP-25852-50	CAP, RESERVOIR	1	1	1	
26	2VN-25854-00	GASKET, DIAPHRAGM	1	1	1	
27	2VN-25855-00	BUSH, DIAPHRAGM	1	1	1	



**FIG. 35 REAR MASTER CYLINDER**

REF. NO.	PART NO.	DESCRIPTION	010	020	030	REMARKS
28	11D-25895-00	HOSE, RESERVOIR	1	1	1	
29	90467-12085	CLIP	2	2	2	
30	90119-06044	BOLT, WITH WASHER	1	1	1	



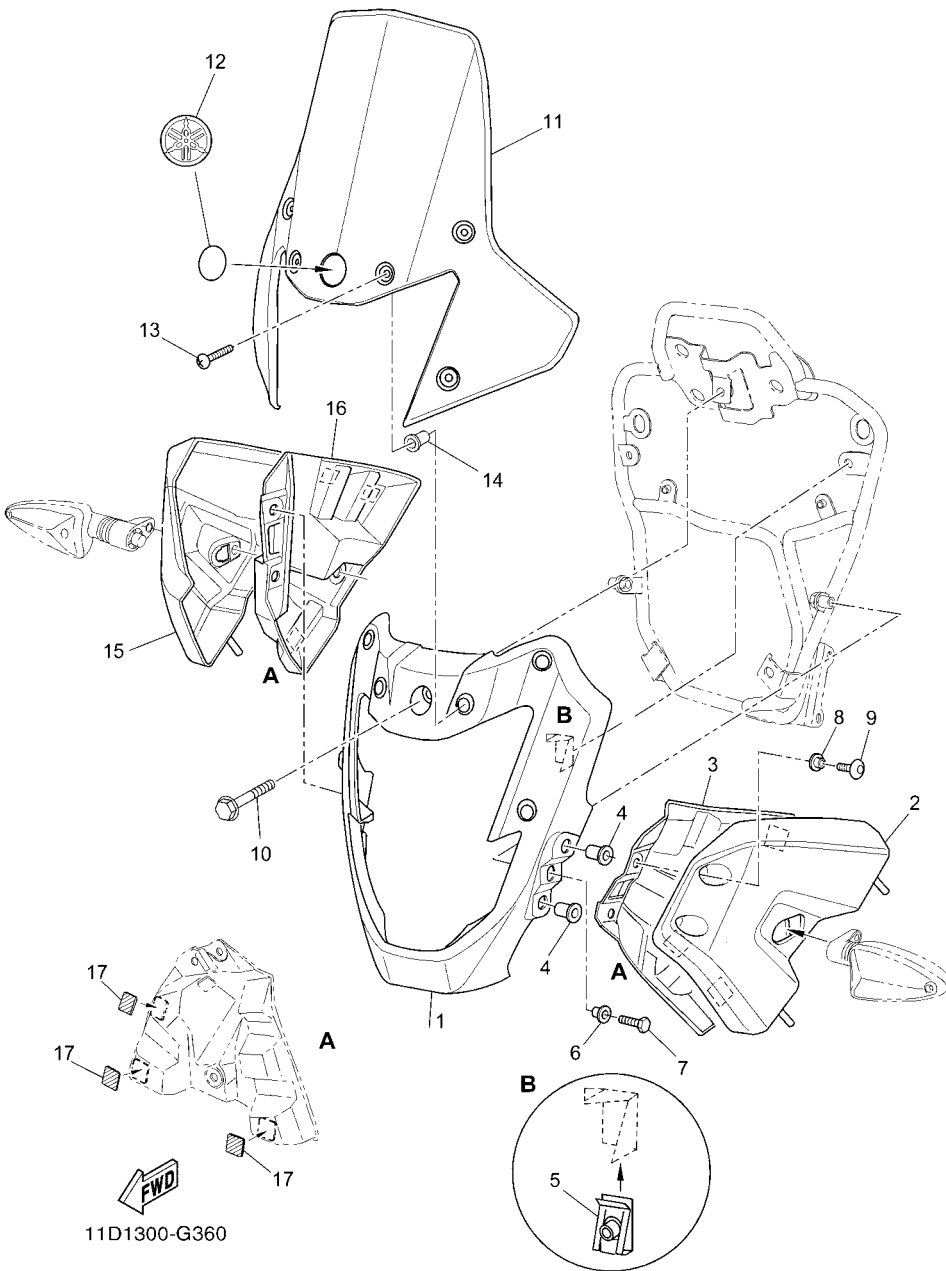
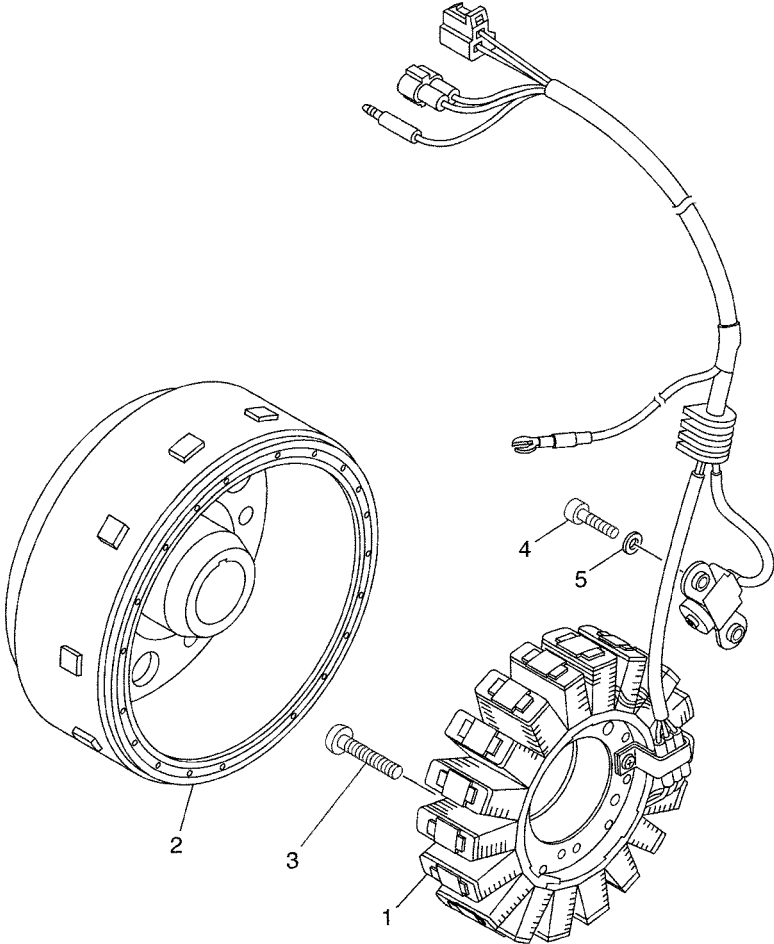


FIG. 36 COWLING

REF. NO.	PART NO.	DESCRIPTION	010	020	030	REMARKS
1	11D-F8351-00-P0	BODY, COWLING	1	1	1	FOR SMX
	11D-F8351-00-P1	BODY, COWLING	1	1	1	FOR BWC1
	11D-F8351-00-P2	BODY, COWLING	1	1	1	FOR YNS5
2	11D-F842M-00	COVER 1	1	1	1	
3	11D-F836L-00	PANEL, INNER 2	1	1	1	
4	90179-06520	NUT	4	4	4	
5	2VW-F1736-00	NUT,PLATE	2	2	2	
6	90387-06X02	COLLAR	2	2	2	
7	97017-06025	BOLT	2	2	2	
8	90387-06X09	COLLAR	4	4	4	
9	90111-06X20	BOLT,HEX. SOCKET BUTTON	4	4	4	
10	95817-06050	BOLT, FLANGE	1	1	1	
11	11D-F8381-00	WINDSHIELD	1	1	1	
12	11D-F836B-00	TUNING FORK MARK	1	1	1	
13	90150-05024	SCREW, ROUND HEAD	6	6	6	
14	90179-05523	NUT	6	6	6	
15	11D-F842N-00	COVER 2	1	1	1	
16	11D-F836M-00	PANEL, INNER 3	1	1	1	
17	11D-F836U-00	DAMPER, LOCATING 2	6	6	6	

**FIG. 37 GENERATOR**

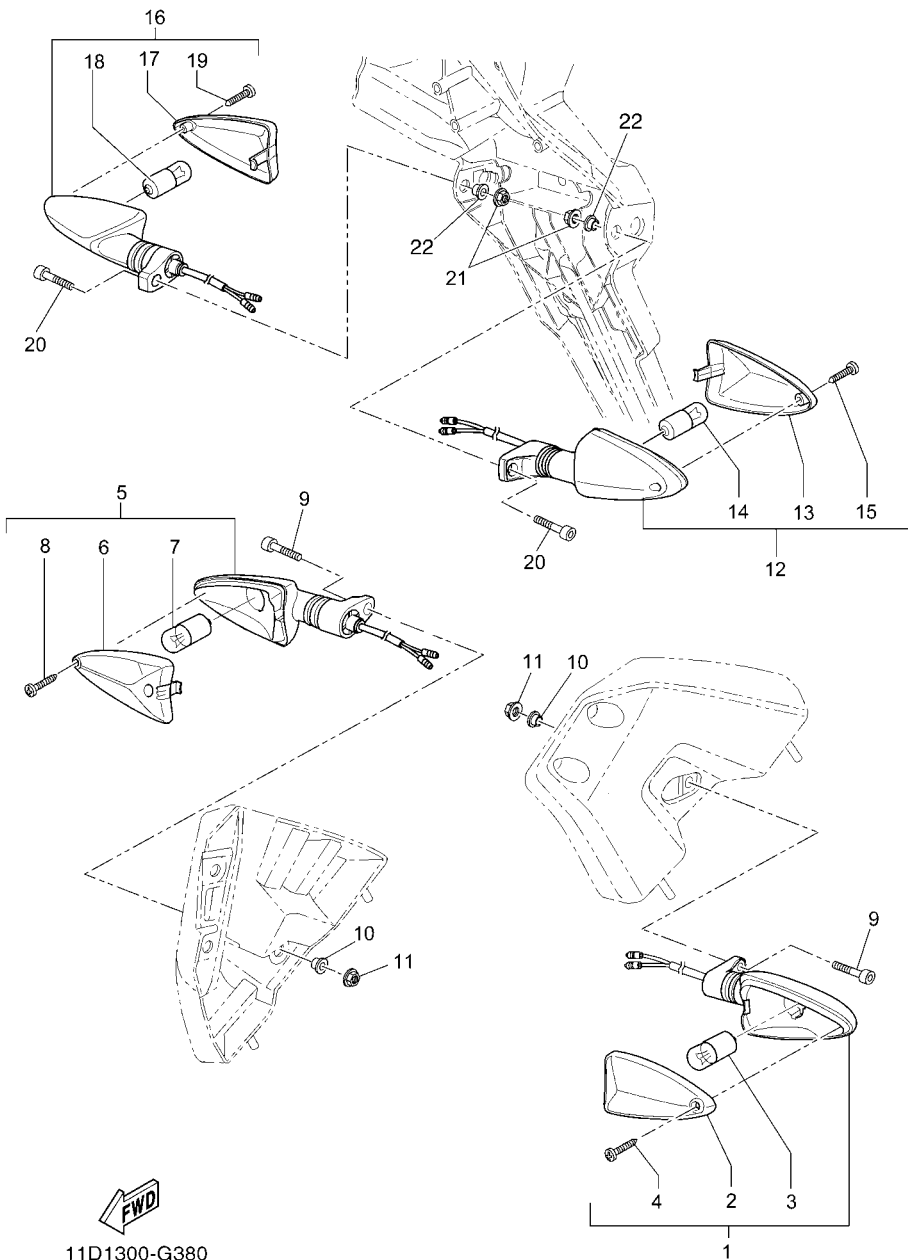


**FWD**  
5VK1300-C370

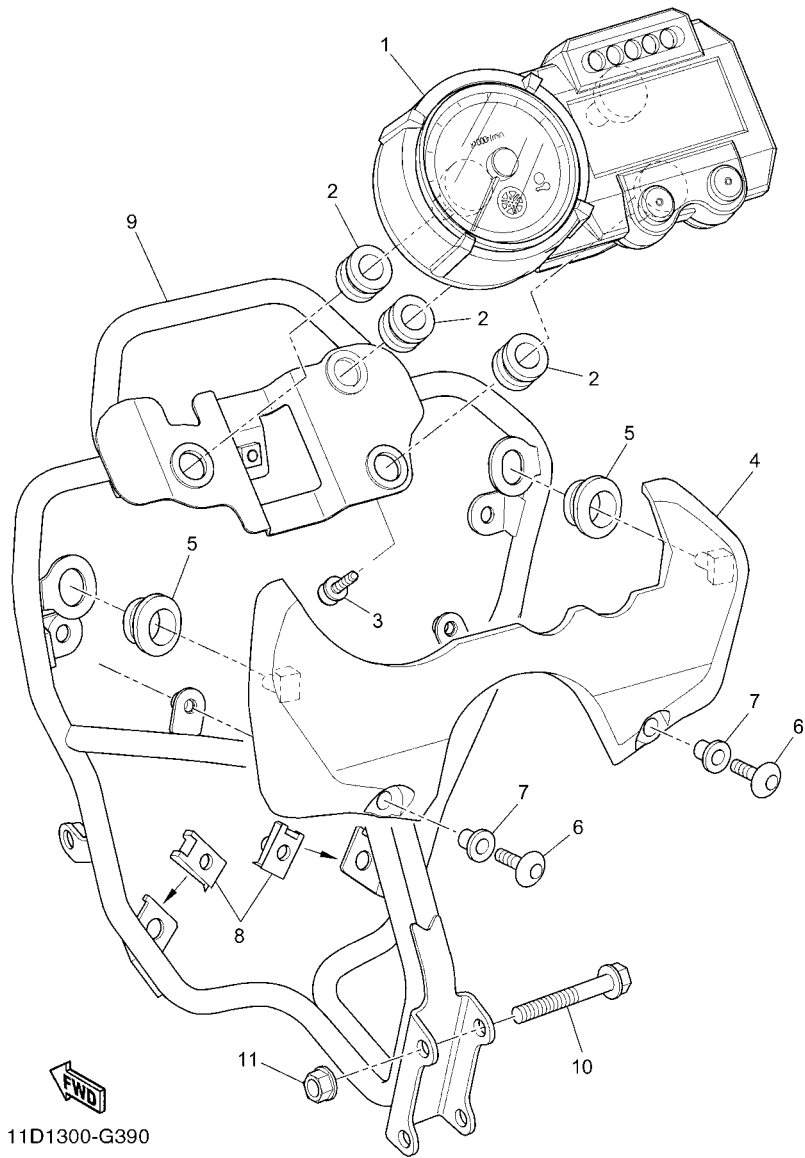
REF. NO.	PART NO.	DESCRIPTION	010	020	030	REMARKS
1	5VK-81410-00	STATOR ASSY	1	1	1	
2	5VK-81450-10	ROTOR ASSY	1	1	1	
3	92017-06030	BOLT, BUTTON HEAD	3	3	3	
4	91317-05014	BOLT	2	2	2	
5	90201-05X08	WASHER, PLATE	2	2	2	
-----						
-----						
-----						
-----						
-----						
-----						
-----						
-----						
-----						

FIG. 38 FLASHER LIGHT

REF. NO.	PART NO.	DESCRIPTION	010	020	030	REMARKS
1	11D-H3310-00	FRONT FLASHER LIGHT ASSY 1	1	1	1	
2	5D7-H3312-00	.LENS, FLASHER	1	1	1	
3	5VK-H3311-00	.BULB, FLASHER (12V/10W)	1	1	1	
4	97780-30116	.SCREW, TAPPING	1	1	1	
5	11D-H3320-00	FRONT FLASHER LIGHT ASSY 2	1	1	1	
6	5D7-H3322-00	.LENS, FLASHER 2	1	1	1	
7	5VK-H3311-00	.BULB, FLASHER (12V/10W)	1	1	1	
8	97780-30116	.SCREW, TAPPING	1	1	1	
9	9131M-06020	BOLT	2	2	2	
10	90387-06X01	COLLAR	2	2	2	
11	90185-06837	NUT, SELF-LOCKING	2	2	2	
12	11D-H3330-00	REAR FLASHER LIGHT ASSY 1	1	1	1	
13	5D7-H3322-00	.LENS, FLASHER 2	1	1	1	
14	5VK-H3311-00	.BULB, FLASHER (12V/10W)	1	1	1	
15	97780-30116	.SCREW, TAPPING	1	1	1	
16	11D-H3340-00	REAR FLASHER LIGHT ASSY 2	1	1	1	
17	5D7-H3312-00	.LENS, FLASHER	1	1	1	
18	5VK-H3311-00	.BULB, FLASHER (12V/10W)	1	1	1	
19	97780-30116	.SCREW, TAPPING	1	1	1	
20	9131M-06020	BOLT	2	2	2	
21	90185-06837	NUT, SELF-LOCKING	2	2	2	
22	90387-06M31	COLLAR	2	2	2	



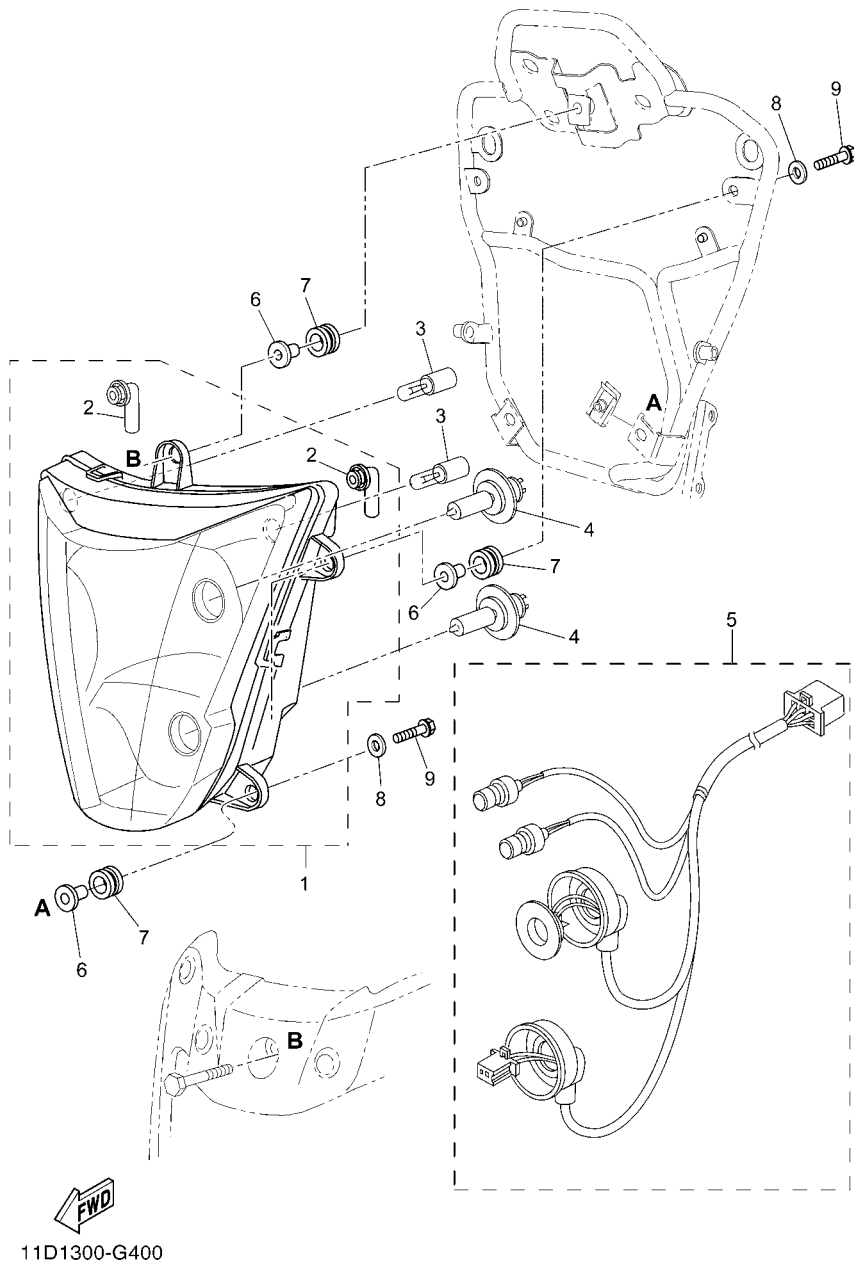
**FWD**  
11D1300-G380



11D1300-G390

FIG. 39 METER

REF. NO.	PART NO.	DESCRIPTION	010	020	030	REMARKS
1	11D-H3500-00	METER ASSY	1	1	1	
2	5CH-H3523-00	DAMPER	3	3	3	
3	90164-05014	SCREW, TAPPING	3	3	3	
4	11D-F836K-00	PANEL, INNER 1	1	1	1	
5	90480-01558	GROMMET	2	2	2	
6	90111-06X17	BOLT,HEX. SOCKET BUTTON	2	2	2	
7	90387-06X38	COLLAR	2	2	2	
8	2VW-F1736-00	NUT,PLATE	2	2	2	
9	11D-F8356-00	STAY 1	1	1	1	
10	95817-08045	BOLT, FLANGE	2	2	2	
11	95607-08200	NUT, SELF-LOCKING	2	2	2	



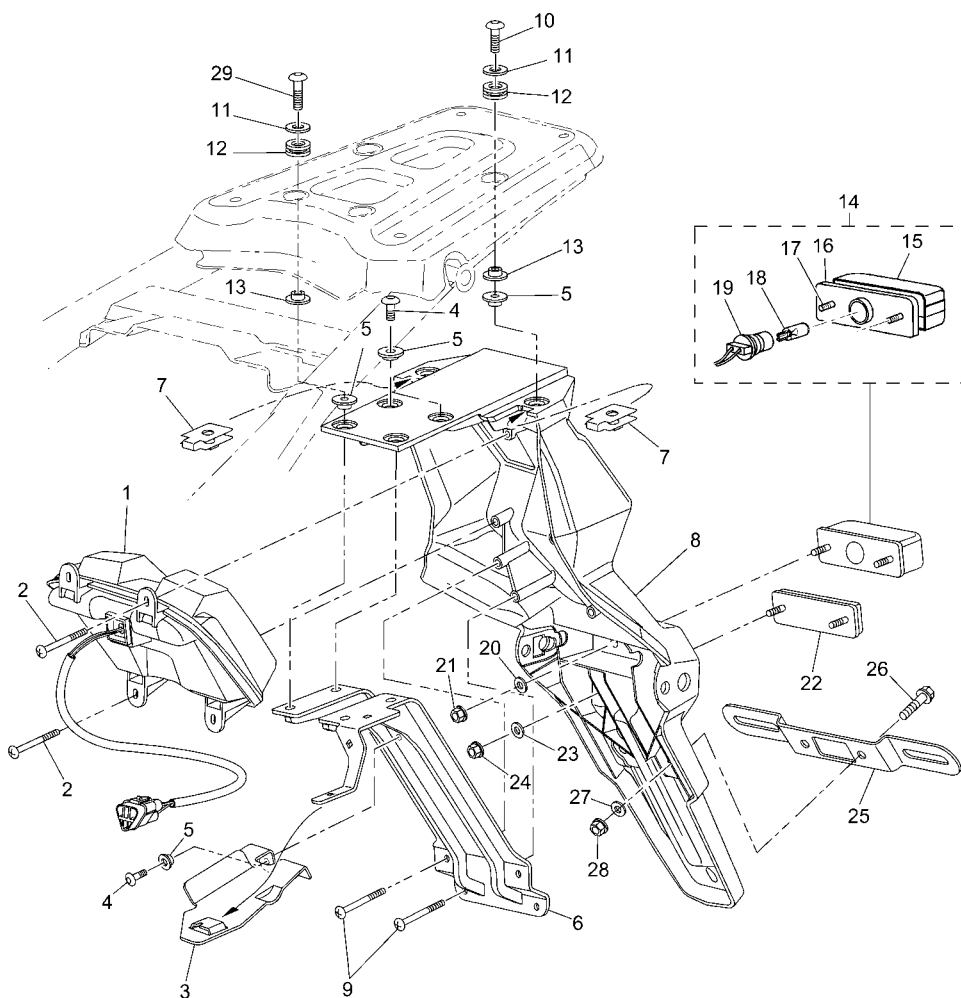
11D1300-G400

FIG. 40 HEADLIGHT

REF. NO.	PART NO.	DESCRIPTION	010	020	030	REMARKS
1	11D-H410A-00	HEADLIGHT UNIT COMP.	1	1	1	
2	5JN-H4352-00	.GROMMET	2	2	2	
3	5B2-H4314-00	BULB, HEADLIGHT (H7, 12V-55W)	2	2	2	
4	5B2-H4301-00	PILOT LIGHT ASSY 1	2	2	2	
5	11D-H4312-00	CORD ASSY	1	1	1	
6	90387-068L3	COLLAR	5	5	5	
7	90480-14023	GROMMET	5	5	5	
8	9290M-06200	WASHER	2	2	2	
9	95817-06035	BOLT, FLANGE	4	4	4	

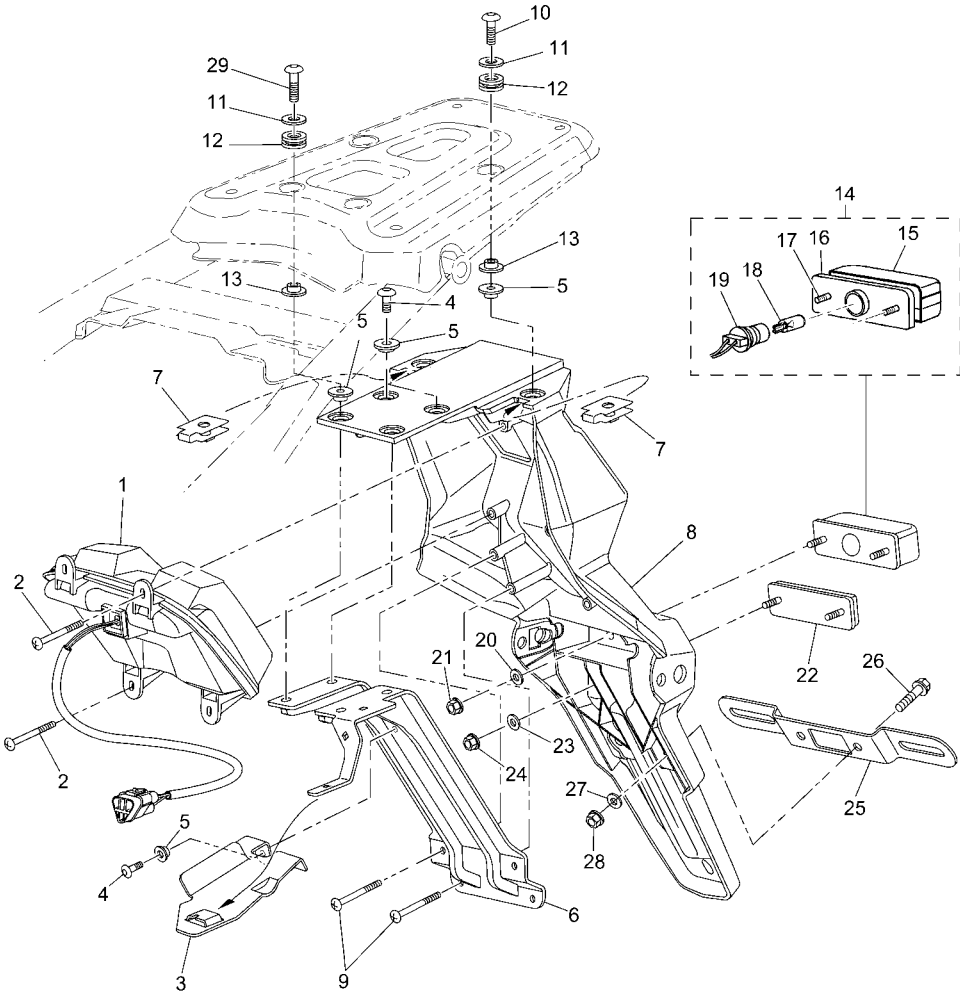
FIG. 41 TAILLIGHT

REF. NO.	PART NO.	DESCRIPTION	010	020	030	REMARKS
1	11D-H4710-00	TAILLIGHT UNIT ASSY	1	1	1	
2	97707-40012	SCREW, TAPPING	4	4	4	
3	11D-H2589-01	PROTECTOR, WIRE HARNESS	1	1	1	
4	9201L-06014	BOLT, BUTTON HEAD	3	3	3	
5	90387-06X41	COLLAR	7	7	7	
6	11D-F1670-01	REINF. COMP.	1	1	1	
7	47X-21736-01	NUT, PLATE	2	2	2	
8	11D-F1685-00	BRACKET, LICENSE	1	1	1	
9	97707-40020	SCREW, TAPPING	4	4	4	
10	92017-06020	BOLT, BUTTON HEAD	2	2	2	
11	90201-06X14	WASHER, PLATE	4	4	4	
12	90480-11006	GROMMET	4	4	4	
13	90387-06X42	COLLAR	4	4	4	
14	11D-H4745-00	LICENCE LIGHT UNIT ASSY	1	1	1	
15	5YK-H4749-00	.BODY, LICENCE LIGHT	1	1	1	
16	5YK-H4741-00	.BASE, LICENCE LIGHT	1	1	1	
17	9770L-30110	.SCREW, TAPPING	2	2	2	
18	*	.BULB (12V-5W)	1	1	1	LM
19	11D-H4547-00	.CORD, LICENCE LIGHT	1	1	1	
20	9290L-05200	WASHER	2	2	2	
21	9570L-05300	NUT, FLANGE	2	2	2	
22	5YK-H5130-00	REAR REFLECTOR ASSY	1	1	1	
23	92907-04200	WASHER	2	2	2	
24	9570L-04300	NUT, FLANGE	2	2	2	
25	3SH-H4551-00	BRACKET, LICENCE	1	1	1	
26	9581M-06016	BOLT, FLANGE	2	2	2	
27	90201-06X14	WASHER, PLATE	2	2	2	



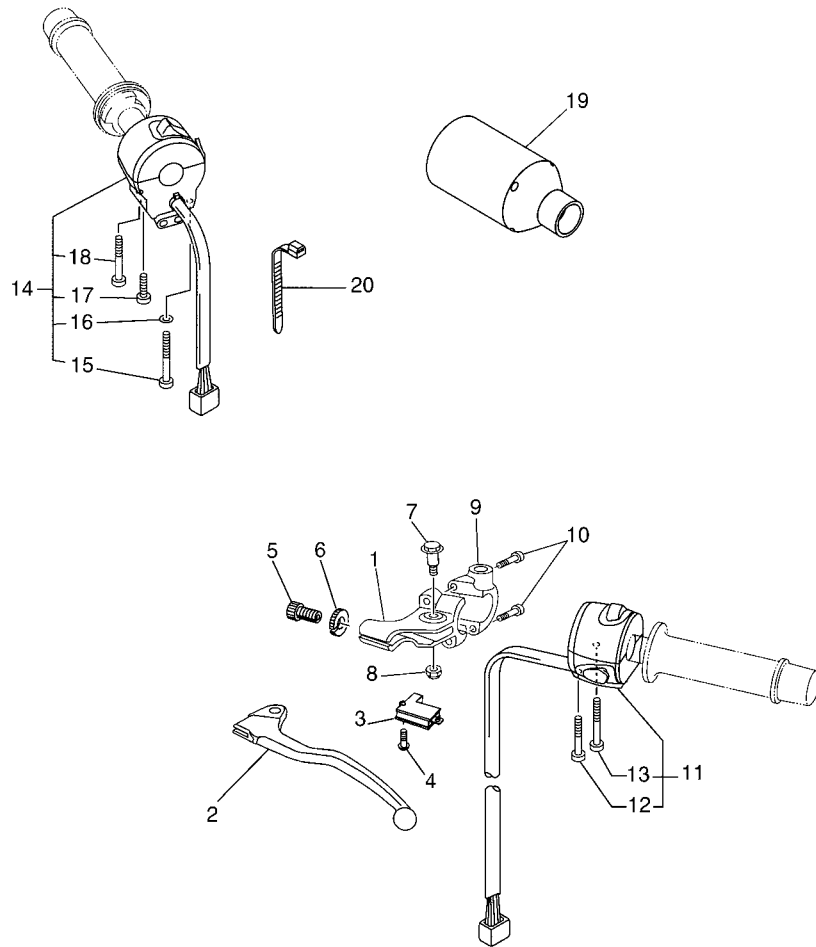
  
11D1300-G410

FIG. 41 TAILLIGHT



  
 11D1300-G410

REF. NO.	PART NO.	DESCRIPTION	010	020	030	REMARKS
28	9571L-06300	NUT, FLANGE	2	2	2	
29	9201L-06025	BOLT, BUTTON HEAD	2	2	2	
-----						
-----						
-----						
-----						
-----						
-----						
-----						



  
11D1300-G420

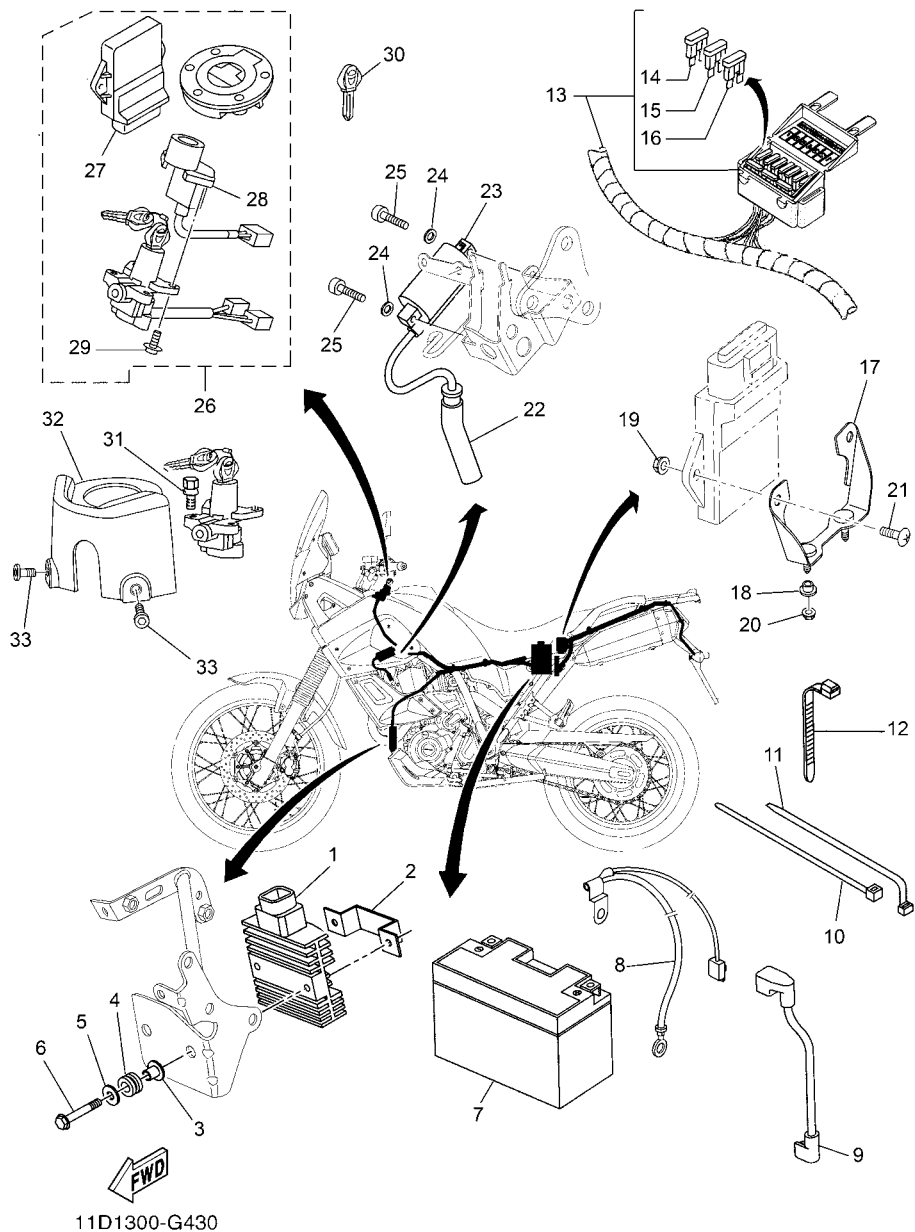
**FIG. 42 HANDLE SWITCH & LEVER**

REF. NO.	PART NO.	DESCRIPTION	010	020	030	REMARKS
1	11D-H2911-00	HOLDER, LEVER 1	1	1	1	
2	11D-H3912-00	LEVER 1	1	1	1	
3	3YX-82917-01	SWITCH	1	1	1	
4	98707-03020	SCREW, FLAT HEAD	1	1	1	
5	11D-H3951-00	BOLT, CABLE ADJUSTING	1	1	1	
6	5D7-H3927-00	NUT, ADJUSTING	1	1	1	
7	5D7-H3945-00	BOLT, LEVER	1	1	1	
8	90185-06837	NUT, SELF-LOCKING	1	1	1	
9	11D-H2913-00	HOLDER, LEVER LOWER 1	1	1	1	
10	11D-H3546-00	BOLT	2	2	2	
11	5VK-83969-00	SWITCH, HANDLE 5	1	1	1	
12	98507-05030	.SCREW, PAN HEAD	1	1	1	
13	98507-05045	.SCREW, PAN HEAD	1	1	1	
14	5VK-83975-00	SWITCH, HANDLE 2	1	1	1	
15	98507-05055	.SCREW, PAN HEAD	1	1	1	
16	92907-05600	.WASHER, PLATE	1	1	1	
17	98507-05045	.SCREW, PAN HEAD	1	1	1	
18	98507-05020	.SCREW, PAN HEAD	1	1	1	
19	11D-H1662-00	COVER, CONNECTER	1	1	1	
20	90464-25004	CLAMP	4	4	4	



FIG. 43 ELECTRICAL 1

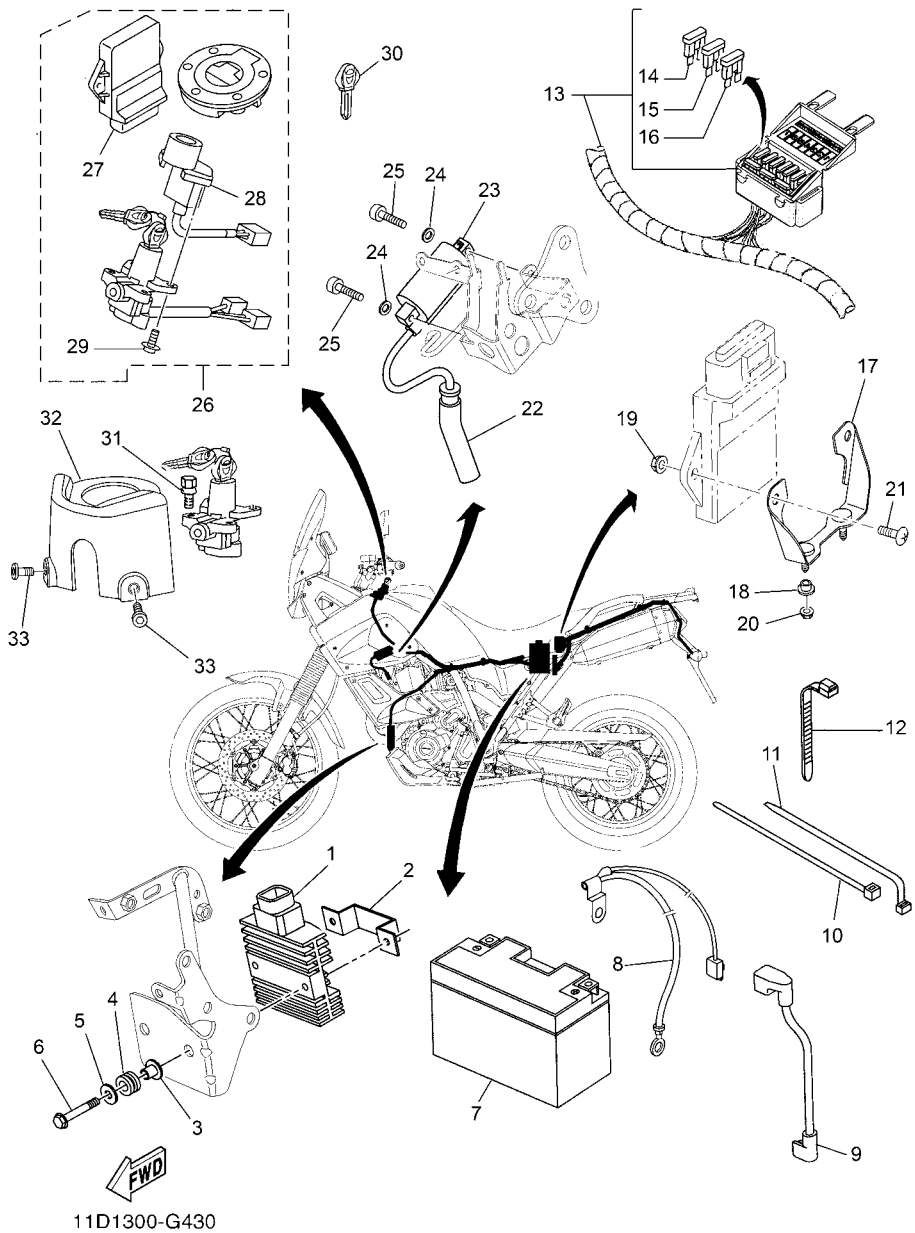
REF. NO.	PART NO.	DESCRIPTION	010	020	030	REMARKS
1	4XY-81960-00	RECTIFIER & REGULATOR ASSY	1	1	1	
2	11D-F1287-00	BRACKET, REGULATOR	1	1	1	
3	90387-06042	COLLAR	2	2	2	
4	90480-15363	GROMMET	2	2	2	
5	90201-06072	WASHER, PLATE	2	2	2	
6	95807-06040	BOLT, FLANGE	2	2	2	
7	5FL-82100-01	BATTERY ASSY (GT9B-4)	1	1	1	
8	11D-H2116-00	WIRE, MINUS LEAD	1	1	1	
9	5YK-82115-00	WIRE, PLUS LEAD	1	1	1	
10	4GV-H3936-00	BAND, SWITCH CORD	11	11	11	
11	2AJ-F3192-50	BAND	15	15	15	
12	90464-25004	CLAMP	2	2	2	
13	11D-H2590-00	WIRE HARNESS ASSY	1	1	1	
14	5JJ-82151-00	.FUSE (7.5A-BL)	2	2	2	
15	5JJ-82151-30	.FUSE (10A-BL)	6	6	6	
16	5JJ-82151-20	.FUSE (20A-BL)	2	2	2	
17	11D-H5991-00	BRACKET, UNIT	1	1	1	
18	90387-06202	COLLAR	2	2	2	
19	9570L-06500	NUT, FLANGE	2	2	2	
20	95607-06200	NUT, SELF U-FLANGE	2	2	2	
21	90111-06X19	BOLT, HEX. SOCKET BUTTON	2	2	2	
22	5VK-82370-00	PLUG CAP ASSY	1	1	1	
23	4GV-82310-00	IGNITION COIL ASSY	1	1	1	
24	9290M-05600	WASHER	2	2	2	
25	9131M-05020	BOLT	2	2	2	
26	11D-W8250-00	MAIN SW. IMMOBILIZER KIT	1	1	1	
27	11D-8591A-00	.ENGINE CONTROL UNIT ASSY	1	1	1	

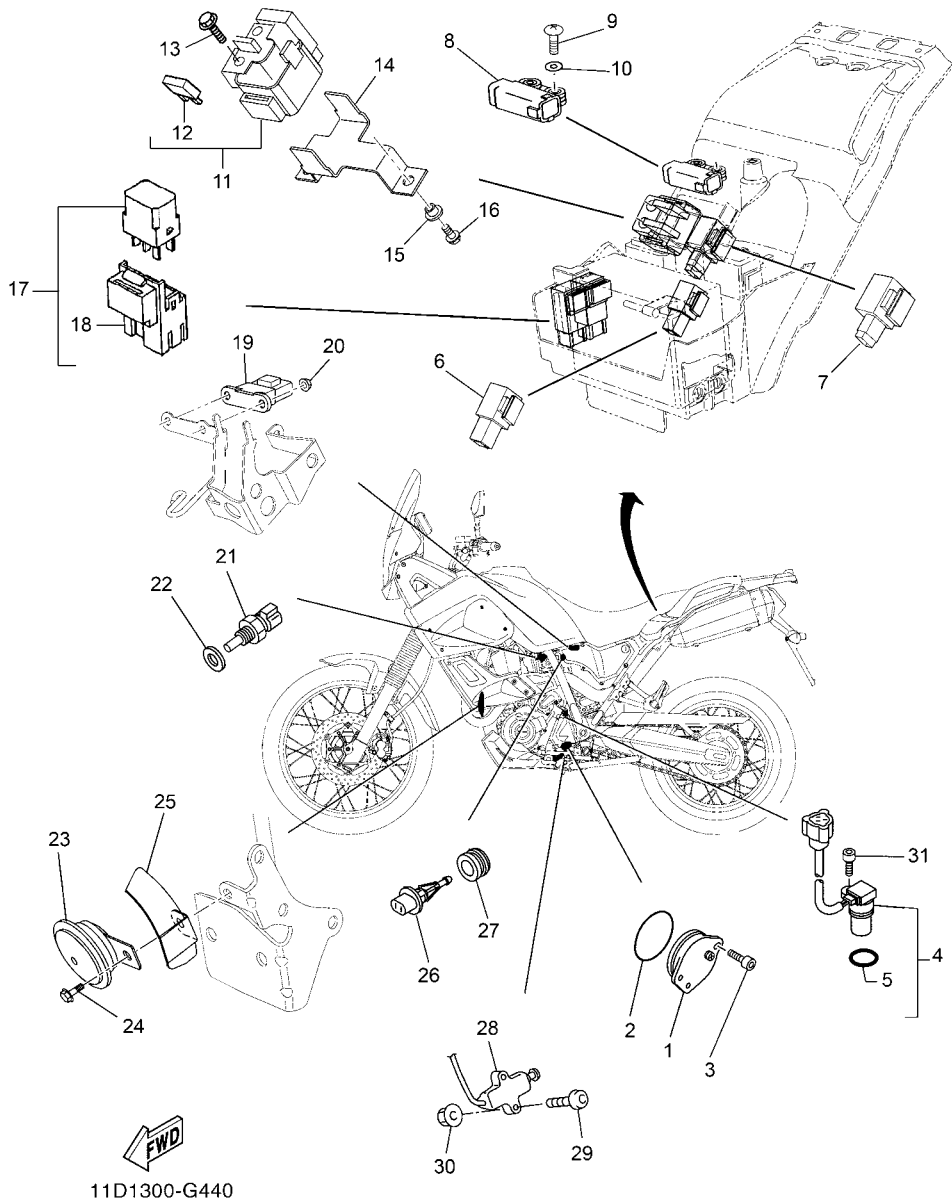


11D1300-G430

FIG. 43 ELECTRICAL 1

REF. NO.	PART NO.	DESCRIPTION	010	020	030	REMARKS
28	5YK-8255P-00	.IMMOBILIZER. UNIT COMP.	1	1	1	
29	5SL-82113-01	.SCREW	2	2	2	
30	5SL-82511-08	BLANK KEY	1	1	1	AP
31	90109-080G5	BOLT	2	2	2	
32	11D-H2568-00	COVER, MAIN SWITCH	1	1	1	
33	90111-05011	BOLT, HEX. SOCKET BUTTON	2	2	2	

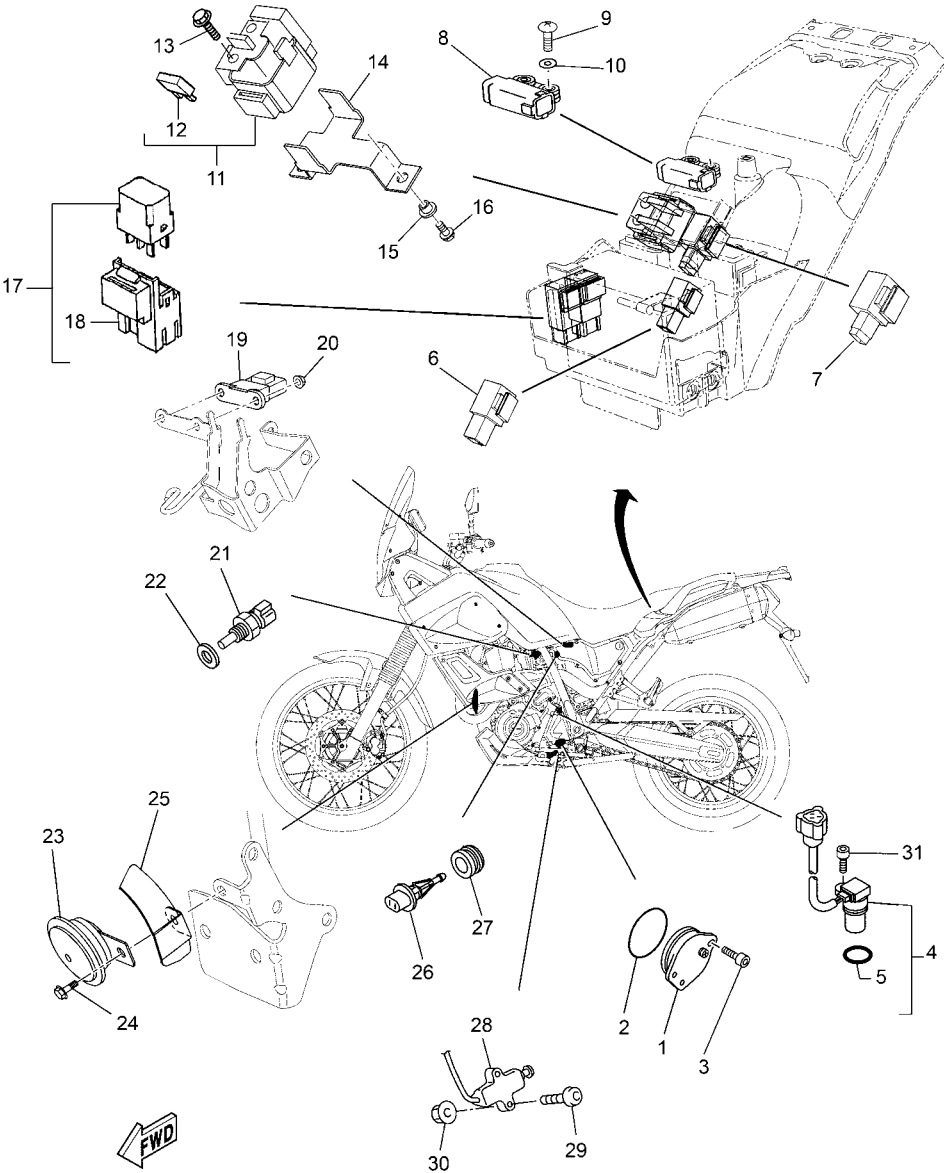




11D1300-G440

FIG. 44 ELECTRICAL 2

REF. NO.	PART NO.	DESCRIPTION	010	020	030	REMARKS
1	1AE-82540-00	NEUTRAL SWITCH ASSY	1	1	1	
2	93210-29X00	O-RING	1	1	1	
3	90110-06122	BOLT, HEXAGON SOCKET HEAD	2	2	2	
4	11D-83755-00	SENSOR, SPEED	1	1	1	
5	4D9-81168-00	.O-RING	1	1	1	
6	4GY-83350-00	FLASHER RELAY ASSY	1	1	1	
7	5VK-81950-40	RELAY ASSY	1	1	1	
8	2S5-H2576-00	SENSOR, LEAN ANGLE	1	1	1	
9	97707-40025	SCREW, TAPPING	2	2	2	
10	90201-047A2	WASHER, PLATE	2	2	2	
11	4SV-81940-12	STARTER RELAY ASSY	1	1	1	
12	1AE-82151-00	.FUSE (30A-BL)	2	2	2	
13	95027-06008	BOLT, FLANGE	2	2	2	
14	11D-H1953-00	STAY, RELAY	1	1	1	
15	90387-06202	COLLAR	2	2	2	
16	9581M-06014	BOLT, FLANGE	2	2	2	
17	5EA-81950-20	RELAY ASSY	2	2	2	
18	5EA-81952-00	.HOLDER, RELAY	1	1	1	
19	5PS-82380-00	SENSOR, PRESSURE	1	1	1	
20	9571L-06300	NUT, FLANGE	2	2	2	
21	5PS-85790-00	THERMOSENSOR ASSY	1	1	1	
22	90430-12X00	GASKET	1	1	1	
23	5VK-H3371-00	HORN	1	1	1	
24	9581M-06012	BOLT, FLANGE	1	1	1	
25	11D-H3376-00	COVER, HORN	1	1	1	
26	5VU-85886-00	SENSOR, AIR TEMPRATURE	1	1	1	
27	5CA-14435-00	GROMMET	1	1	1	



11D1300-G440

FIG. 44 ELECTRICAL 2

REF. NO.	PART NO.	DESCRIPTION	010	020	030	REMARKS
28	5VS-82566-61	SWITCH, SIDE STAND	1	1	1	
29	92017-05025	BOLT, BUTTON HEAD	2	2	2	
30	95607-05200	NUT, U FLANGE	2	2	2	
31	91317-06014	BOLT	1	1	1	





NUMERICAL INDEX

PART NO.	REF. NO.	PART NO.	REF. NO.	PART NO.	REF. NO.	PART NO.	REF. NO.	PART NO.	REF. NO.	PART NO.	REF. NO.
90105-10077	2 - 4	90176-22081	24 - 7	90202-26142	24 - 5	90387-06X41	41 - 5	90467-11090	9 - 24	91317-06016	8 - 42
90105-10078	2 - 3	90179-05523	36 - 14	90209-20012	16 - 3	90387-06X42	41 - 13	90467-11108	9 - 23		13 - 17
90105-10212	20 - 33	90179-06403	21 - 6	90209-21351	17 - 9	90387-07037	9 - 35		9 - 31	91317-06018	1 - 19
90105-10638	29 - 15	90179-06520	36 - 4	90209-21X00	17 - 3	90387-08024	20 - 21	90467-12085	9 - 17	91317-06020	6 - 17
90105-10733	20 - 15	90179-08442	12 - 8		17 - 19	90387-087L3	26 - 10		35 - 29		8 - 12
90105-10X16	34 - 3	90179-16448	3 - 9	90209-22X00	17 - 8	90387-124V0	22 - 22	90467-14015	13 - 14		19 - 4
90105-12028	23 - 2	90179-18003	17 - 34	90209-26348	17 - 15	90387-126Y1	22 - 13		13 - 15	91317-06025	5 - 14
90109-06419	8 - 21	90179-25615	24 - 4	90215-18X00	3 - 24	90387-127W0	22 - 23	90467-14800	9 - 20		8 - 38
90109-064G6	29 - 17	90183-05812	27 - 25	90215-20X00	16 - 4	90387-17801	30 - 25	90467-17089	11 - 6		14 - 5
90109-065F3	31 - 9	90185-06837	38 - 11	90215-20X01	16 - 19	90387-17802	30 - 26		11 - 8		14 - 34
90109-080G5	43 - 31		38 - 21	90215-21X00	17 - 33	90387-21002	17 - 7	90467-170A0	11 - 9	91317-06030	1 - 9
90109-12X00	22 - 18		42 - 8	90240-08124	35 - 17	90387-25802	17 - 26	90467-170A2	9 - 29		13 - 5
90110-05112	26 - 4	90185-12119	22 - 19	90240-10101	34 - 14	90401-08133	8 - 26	90467-17128	9 - 27		14 - 22
90110-06122	44 - 3	90201-047A2	44 - 10		34 - 22	90401-10096	8 - 29	90467-17800	20 - 38	91317-06035	14 - 4
90110-06202	7 - 34	90201-05X08	37 - 5	90267-40X01	12 - 29	90401-10X03	33 - 17	90467-17801	9 - 18		14 - 33
90110-08221	34 - 35	90201-06072	43 - 5		12 - 40		35 - 22	90480-01558	39 - 5	91317-06040	2 - 6
90110-10191	34 - 8	90201-06X04	27 - 19	90269-07007	7 - 18	90430-05X00	8 - 24	90480-11006	41 - 12	91317-06045	13 - 6
90111-05011	43 - 33	90201-06X14	41 - 11	90269-08066	22 - 29	90430-06014	6 - 12	90480-12072	20 - 12		14 - 18
90111-06023	12 - 42		41 - 27	90280-05001	3 - 7	90430-08119	20 - 5	90480-12497	21 - 3	91317-06050	6 - 24
90111-06051	9 - 32	90201-06X28	26 - 24	90282-05058	3 - 22	90430-08X01	8 - 27	90480-12581	12 - 32		14 - 6
90111-06068	12 - 31	90201-08083	35 - 18	90282-07001	16 - 2	90430-09002	10 - 3	90480-13398	15 - 24		14 - 7
90111-06X17	7 - 25	90201-082H0	20 - 22	90338-05008	27 - 28	90430-10X00	8 - 30	90480-14014	7 - 36	91317-06055	13 - 7
	12 - 16	90201-086A3	12 - 45	90340-14132	8 - 13	90430-12X00	44 - 22	90480-14023	40 - 7	91317-06060	13 - 8
	39 - 6	90201-08M03	26 - 8	90340-14X00	14 - 10	90430-22123	20 - 2	90480-15363	7 - 26	91317-06080	13 - 9
90111-06X19	7 - 16	90201-08X18	15 - 10	90340-36X00	14 - 12	90445-08X05	7 - 38		43 - 4	91317-06090	13 - 10
	7 - 23	90201-08X19	16 - 25	90380-22111	22 - 3	90445-08X06	7 - 28	90480-18276	7 - 27	91317-06095	8 - 22
	26 - 23	90201-096J9	1 - 10	90387-06014	34 - 33	90445-11X01	8 - 43		9 - 36	91317-08025	15 - 9
	27 - 12	90201-100L3	35 - 6		34 - 43	90450-20X01	8 - 45	90501-04X01	8 - 34	9131L-06035	9 - 33
	43 - 21	90201-101A1	24 - 13	90387-06042	7 - 20		20 - 37	90501-06022	18 - 2	9131M-05020	43 - 25
90111-06X20	7 - 22	90201-101A4	2 - 5		43 - 3	90450-32X03	6 - 23	90501-15001	34 - 29	9131M-06020	38 - 9
	36 - 9	90201-101J1	23 - 6	90387-06161	7 - 35		7 - 6		34 - 40		38 - 20
90116-10485	30 - 9	90201-10X07	33 - 18	90387-06202	21 - 16	90450-59001	9 - 4	90501-260A1	16 - 12	91380-06016	11 - 4
90119-06044	35 - 30		35 - 21		43 - 18	90450-72001	9 - 2	90506-25X01	34 - 5	91380-08020	12 - 18
90119-06105	16 - 13	90201-10X17	16 - 30		44 - 15	90462-07X00	13 - 11	90508-16X00	16 - 23	91380-08030	12 - 46
90119-06X05	5 - 12	90201-10X18	15 - 7	90387-065J6	20 - 11	90462-16X00	14 - 15	90508-28777	34 - 12	91401-20012	35 - 19
90149-05110	8 - 23	90201-10X21	34 - 6		21 - 2	90464-08126	7 - 29		34 - 21	91401-25020	34 - 15
90149-05321	18 - 5	90201-124G9	22 - 20	90387-06648	7 - 21	90464-09X00	26 - 36	90560-17306	30 - 2		34 - 23
90150-05024	36 - 13	90201-12541	6 - 10	90387-068L3	40 - 6	90464-10X03	20 - 34	91317-05008	8 - 9	91808-16X00	13 - 3
90154-06061	20 - 10	90201-12X05	18 - 19	90387-068P7	9 - 34	90464-16005	26 - 31	91317-05010	26 - 5		14 - 29
	21 - 4	90201-12X06	18 - 16	90387-06M31	38 - 22	90464-25004	42 - 20	91317-05014	37 - 4		14 - 32
90157-05079	34 - 28	90201-16013	3 - 8	90387-06X01	27 - 14		43 - 12	91317-06010	34 - 11	91810-14X00	8 - 37
	34 - 39	90201-16021	22 - 9		38 - 10	90465-10044	1 - 16		34 - 20	92014-08025	35 - 8
90164-05014	39 - 3	90201-17X01	18 - 18	90387-06X02	7 - 17	90465-10045	2 - 7	91317-06012	6 - 21	92017-05025	44 - 29
90167-04X00	12 - 49	90201-208G4	17 - 23		12 - 17	90467-07138	9 - 25		8 - 31	92017-06014	27 - 23
90170-06128	4 - 12	90201-220T0	24 - 8		36 - 6	90467-08003	7 - 32		14 - 14	92017-06020	27 - 20
90170-18003	3 - 23	90201-30X00	3 - 15	90387-06X09	36 - 8	90467-09006	26 - 34		14 - 26		41 - 10
90170-20274	16 - 5	90201-30X01	15 - 3	90387-06X36	12 - 34	90467-10008	8 - 44		26 - 19	92017-06030	37 - 3
90170-20327	16 - 20	90202-08X01	26 - 39	90387-06X38	39 - 7	90467-11090	9 - 16	91317-06014	44 - 31	92017-06035	8 - 4

NUMERICAL INDEX

PART NO.	REF. NO.	PART NO.	REF. NO.	PART NO.	REF. NO.	PART NO.	REF. NO.	PART NO.	REF. NO.	PART NO.	REF. NO.
92017-10045	35 - 5	93306-00304	16 - 9	95027-06008	44 - 13	9581M-06014	44 - 16				
9201L-06014	41 - 4	93306-004XL	17 - 12	95027-06012	5 - 7	9581M-06016	41 - 26				
9201L-06025	41 - 29	93306-004XM	17 - 31		22 - 27	95827-08040	20 - 23				
92507-06012	9 - 11	93306-07209	5 - 2	95027-06014	26 - 22	97017-06025	36 - 7				
92902-04100	33 - 14	93306-20348	30 - 3	95027-06025	6 - 7	97707-40010	27 - 16				
92902-04600	33 - 15	93306-203XN	28 - 3	95602-06200	27 - 15	97707-40012	41 - 2				
92907-04200	41 - 23	93306-205XA	17 - 11	95604-06200	34 - 34	97707-40014	27 - 17				
92907-05600	42 - 16	93306-30437	30 - 6		34 - 44	97707-40020	41 - 9				
92907-06600	9 - 12	93306-305X4	17 - 25	95604-16200	22 - 10	97707-40025	44 - 9				
9290L-04600	12 - 30	93306-305YH	3 - 20		30 - 27	9770L-30110	41 - 17				
	12 - 41	93306-305YJ	3 - 19	95607-05200	44 - 30	9770M-50030	9 - 6				
9290L-05200	41 - 20	93306-308Y0	3 - 10	95607-06200	43 - 20	97780-30116	38 - 4				
9290M-05600	43 - 24	93310-530C7	15 - 2	95607-08200	34 - 17		38 - 8				
9290M-06200	40 - 8	93310-84010	3 - 5		39 - 11		38 - 15				
93101-12173	6 - 8	93315-11206	18 - 13	95607-10200	20 - 8		38 - 19				
93101-14164	14 - 24	93315-22251	22 - 2		23 - 5	98502-04012	33 - 13				
93101-25106	3 - 21	93315-31502	16 - 29		24 - 15	98507-05020	42 - 18				
93102-12106	18 - 14	93315-31758	22 - 17		30 - 11	98507-05030	42 - 12				
93102-15212	16 - 28	93317-11020	16 - 27	95607-12200	23 - 3	98507-05045	42 - 13				
93102-35368	17 - 28	93317-21746	22 - 11	95617-06100	33 - 8		42 - 17				
93106-22019	22 - 4	93317-31771	22 - 16	95617-08618	1 - 4	98507-05055	42 - 15				
93106-23002	28 - 4	93332-00001	24 - 2	95617-12100	22 - 21	98507-06012	10 - 4				
	30 - 4	93332-00008	24 - 1	9561M-10100	34 - 7	98580-04016	25 - 48				
93106-30029	30 - 8	93410-11X00	8 - 6	95707-08500	30 - 24	98707-03020	42 - 4				
93108-35004	22 - 6	93410-17X00	18 - 17	9570L-04300	41 - 24	99001-07600	16 - 26				
93109-17071	22 - 12	93410-20825	17 - 24	9570L-05300	41 - 21	99001-10600	18 - 15				
93210-07X01	8 - 20	93440-10X00	1 - 3	9570L-06500	43 - 19	99009-10400	16 - 31				
	13 - 4	93440-11024	15 - 13	9571L-06300	41 - 28	99009-12400	6 - 15				
93210-10X00	8 - 36	93440-25084	17 - 4		44 - 20	99530-12016	13 - 2				
93210-11X00	8 - 16		17 - 20	95807-06008	21 - 14		14 - 3				
93210-13X00	8 - 3	93440-28062	17 - 16	95807-06010	20 - 28		14 - 9				
	14 - 8	93450-24824	3 - 14	95807-06016	21 - 13		14 - 21				
93210-14X00	14 - 11	93501-04011	34 - 30		21 - 15	99530-14016	13 - 18				
93210-15414	35 - 4		34 - 42	95807-06040	43 - 6						
93210-15620	35 - 11	93503-08007	8 - 33	95807-08012	20 - 4						
93210-15X00	8 - 41	93603-16219	6 - 13	95812-06030	25 - 50						
93210-19123	20 - 35	93612-16X00	1 - 12	95817-06035	15 - 22						
93210-21X00	6 - 20	94109-21800	28 - 7		40 - 9						
93210-22X00	17 - 27	94109-21801	28 - 7	95817-06040	34 - 32						
93210-29X00	44 - 2	94113-17800	30 - 15	95817-06050	36 - 10						
93210-33X00	6 - 18	94113-17801	30 - 15	95817-08014	12 - 44						
93210-35X00	14 - 13	94418-21X00	28 - 5	95817-08030	27 - 8						
93210-41X00	7 - 4	94427-17X00	30 - 14	95817-08040	26 - 7						
93210-61750	6 - 4	9456X-08110	30 - 19	95817-08045	39 - 10						
93210-64X01	8 - 19	94591-57126	5 - 9	95817-10035	20 - 14						
93210-78X00	1 - 18	94701-00X09	1 - 11	95817-10070	20 - 7						
93210-96X00	1 - 14	95024-06012	33 - 19	9581M-06012	20 - 26						
93306-00106	6 - 5	95024-06025	21 - 5		44 - 24						